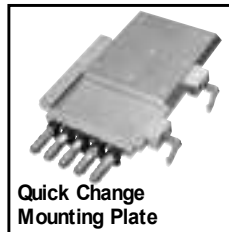


# Original Gripper Components



Quick Change Mounting Plate



Profile



Clamps



Gripper Arms



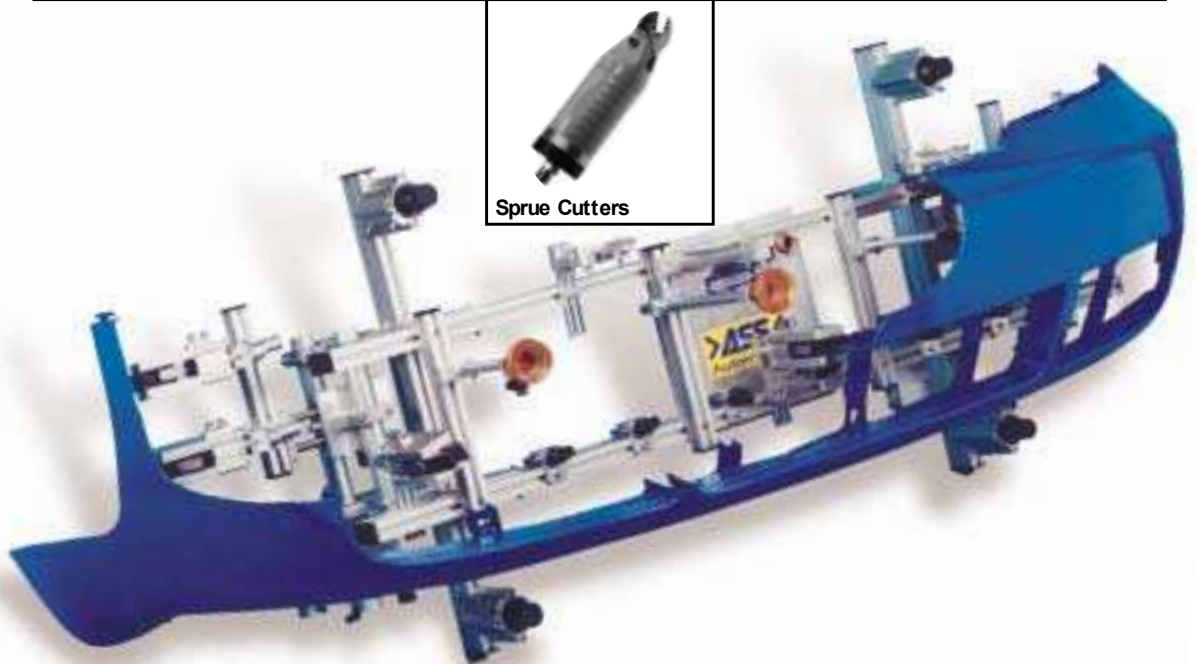
Fingers/ Jaws



Vacuum Caps



Sprue Cutters



order direct from our Online catalog:  
[www.ass-gripper.com](http://www.ass-gripper.com) ...the best grip!



Grippers, Build Components



Grippers

## Benefits

- No cutting, no drilling
- Flexible, simple build components
- Using different components, every point of the molded part can be reached
- For modifications, you only need to change/ add extra components
- According to the weight of the part there are corresponding sized components
- Gripper parts are mainly made from aluminium strength grade F 38
- Engineered with practical experience
- Grippers can be built by works mechanics without drawings
- individual parts can be re-used over and over again
- Continental development of the individual components

# Self assembly



Grippers

You have a new molded part to produce. The injection molding machine is already in place with the robot, so let's get going - **but where is the gripper?**

- We all know what happens?
- a supplier has to come in, but who?
  - where are the sample parts, mold drawing?
  - when can it be delivered?
  - and then will it work when you fit it...!?

We know these difficulties are faced on a daily basis, therefore:

### Build your next gripper yourself

With standard gripper parts from ASS, it is no problem. You decide on the parts from the detailed and comprehensive catalog and we deliver to you what you need from stock.



Gripper for plug socket housing

**L** - L-Light-System  
molded parts up to 1 Kg

up to 1 Kg

L 18 - 10  
Profile

L 18 - 18  
Profile



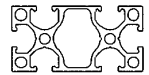
Gripper for vacuum cleaner housing

**X** - X-System  
molded parts up to 10 Kg

up to 10 Kg

X 25 - 25  
Profile

X 50 - 25  
Profile



Gripper for bumper

**J** - Jumbo-System  
molded parts over 10 Kg

over 10 Kg

JU - 40 - 40  
Profile

JU - 80 - 40  
Profile



order direct from our Online catalog:  
[www.ass-gripper.com](http://www.ass-gripper.com) ...the best grip!



# Complex Systems

ASS not only delivers standard parts, but also **complex grippers** specifically built against your samples and drawings.

For example: Special gripper for bobbin core

# Do you want to know more?

please fill out and fax to +49. 22 04/ 97 57 - 87

Name and Title

Company Name

Address

City/ State/ Zip Code

Phone

Fax

ASS-Maschinenbau GmbH Zöllnerstraße 7 · D-51491 Overath - Untereschbach

Telefon +49. 22 04/ 97 57 - 0 · Fax +49. 22 04/ 97 57 - 87 · [info@ass-maschinenbau.de](mailto:info@ass-maschinenbau.de) · [www.ass-maschinenbau.de](http://www.ass-maschinenbau.de)