

# Urba 10



## Urba 10

manufactured by **sartori ambiente** is an ergonomic and stylish kitchen caddy for the segregation of kitchen food wastes for central composting or home composting.

The tapered shape **reduces** the space of storage and it can be **easily** placed under the kitchen sink or close to the worktop.



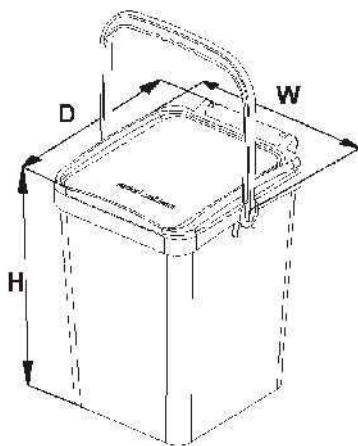
## Urba 10

### Tecnical details:

- 10 litres
- Made from recyclable PP
- Stabilised against the effects of UV light
- Resistant to chemical detergents and biological matter
- Hinged lid with locking mechanism when handle vertical
- Stackable or with wall mounting bracket
- Standard colours: Brown, Green, Blue, Yellow, Grey. Other colours on request

### On request:

- Printing on the body
- Metal handle (no lid locking mechanism with this option)



Width (W)	Depth (D)	Height (H)	Volume
238* mm	275 mm	300 mm	ca. 10 lt.

\*with handle

The manufacturer reserves the right to apply technical and aesthetical changes without notice



# sartori ambiente

38062 ARCO (TN) - via S. Andrea, 51  
Tel. 0464 531643 - Fax 0464 515532

www.sartori-ambiente.com - E-Mail: info@sartori-ambiente.com



# Urba 10



## Urba 10

manufactured by **sartori ambiente** is an ergonomic and stylish kitchen caddy for the segregation of kitchen food wastes for central composting or home composting.

The tapered shape **reduces** the space of storage and it can be **easily** placed under the kitchen sink or close to the worktop.



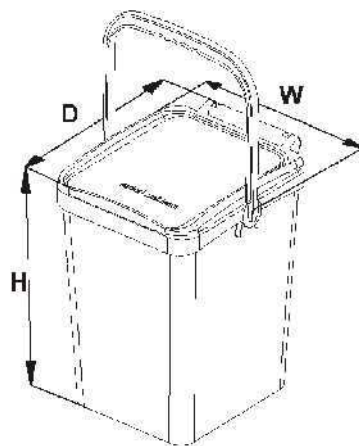
## Urba 10

### Tecnical details:

- 10 litres
- Made from recyclable PP
- Stabilised against the effects of UV light
- Resistant to chemical detergents and biological matter
- Hinged lid with locking mechanism when handle vertical
- Stackable or with wall mounting bracket
- Standard colours: Brown, Green, Blue, Yellow, Grey. Other colours on request

### On request:

- Printing on the body
- Metal handle (no lid locking mechanism with this option)



Width (W)	Depth (D)	Height (H)	Volume
238* mm	275 mm	300 mm	ca. 10 lt.

\*with handle

The manufacturer reserves the right to apply technical and aesthetical changes without notice



# sartori ambiente

38062 ARCO (TN) - via S. Andrea, 51  
Tel. 0464 531643 - Fax 0464 515532

www.sartori-ambiente.com - E-Mail: info@sartori-ambiente.com

