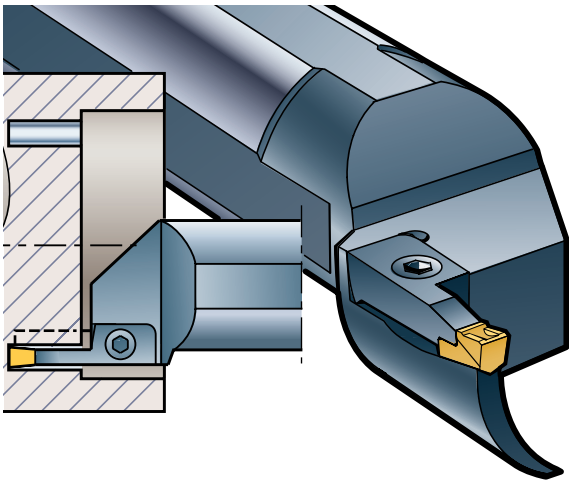




# MIRCONA®



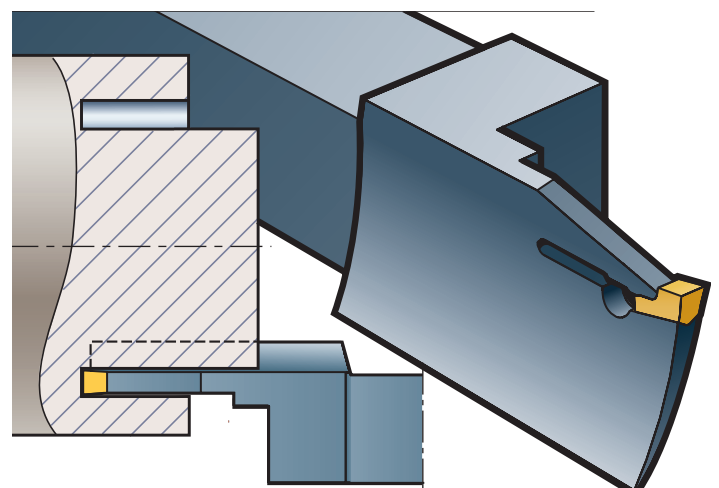
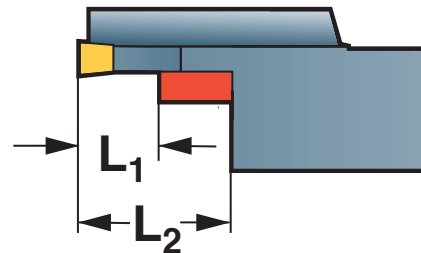
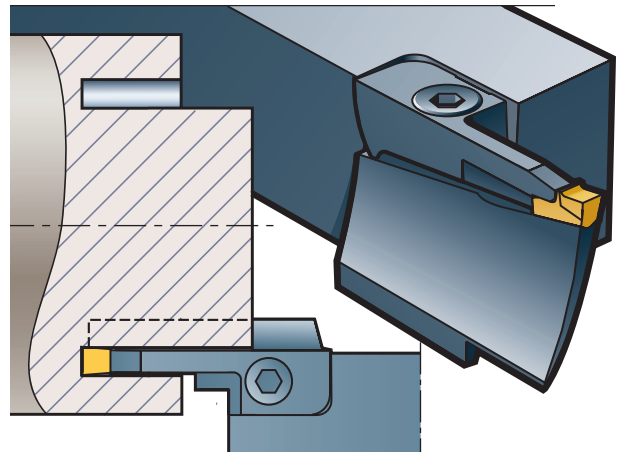
*Enlargement of the range on tool holder type 152S-00 with round shank for face grooving;*

*Compared to the previous MIRCONA range on tool holder type 152S-00, an enlargement of the range has been made whereas the range has been completed with tool holders with shank size 16 and 50 mm.*

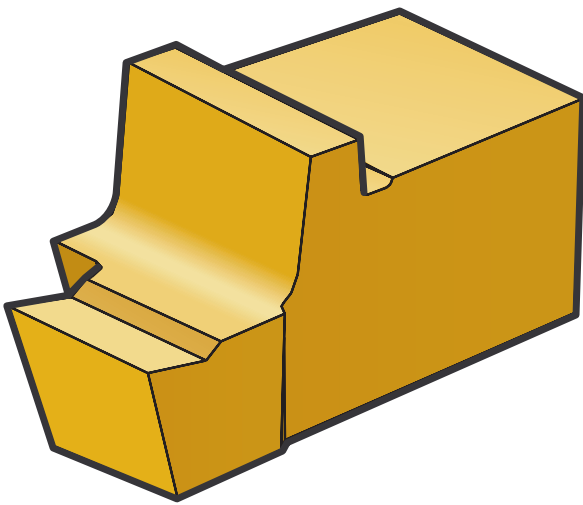
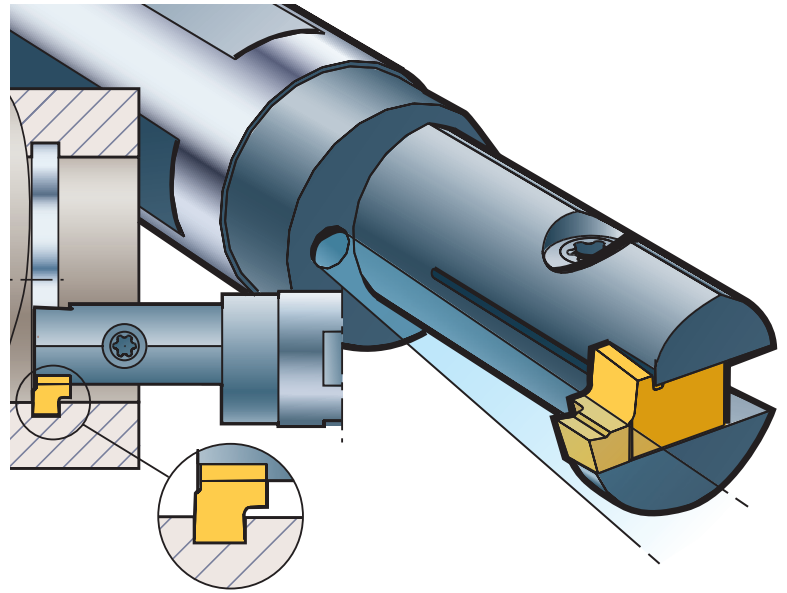
*New tool holder design type 153CD and 153SD for face grooving of larger axial groove depths;*

*In order to reach larger groove depths by face grooving with 3 and 4 mm cutting widths, MIRCONA tool holder 153SD in 3 mm width and tool holder 153CD in 4 mm width is introduced.*

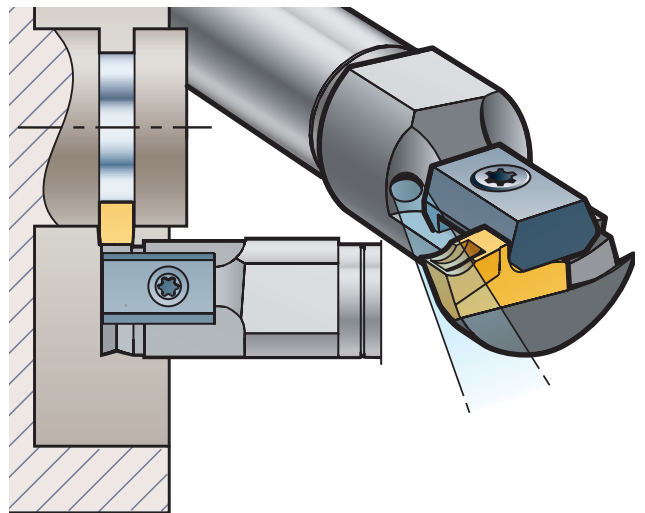
*Tool type 153SD is supplied with a clamp and screw for clamping of the insert in a conventional way, and tool holder type 153CD with a “self-clamping” of the insert. To achieve maximum rigidity the tools are supplied with “two entry lengths” of which one should be modified to the requested entry needed. 3 mm tools may be adjusted to 20 mm reach and 4 mm tools to 40 mm reach maximum.*



*New tool holder design 157HA for internal grooving in small holes;  
A new series of internal grooving tool holders, equipped with internal coolant supply, designated 157HA for grooving in small hole dimensions, down 8 mm is introduced BY MIRCONA. The tools are made for cutting widths 0.4 to 2.0 mm are used in combination with a new insert design, designated type H.*



*New tool holder design 157TA for internal deep hole grooving;  
A new series of internal grooving tool holders by MIRCONA, equipped with internal coolant supply and solid carbide shank, designated 157TA for grooving in small hole dimensions with an optimal rigidity is introduced. The tools are made for cutting widths 2.5 to 4 mm and are used in combination with insert design MP or MA.*



*New TNP-coated carbide grades TNP 2105 and TNP 2255 for parting-off and grooving;  
For machining of difficult to machine materials MIRCONA is replacing previous PVD-coated  
grades with a new generation of PVD-coatings. The new grades have been improved both  
what concerns the coating and the substrate. The substrate and coating is produced with a  
new technology giving an end product with superior quality, which is resulting in both longer  
tool life and better resistance to edge chipping.*

