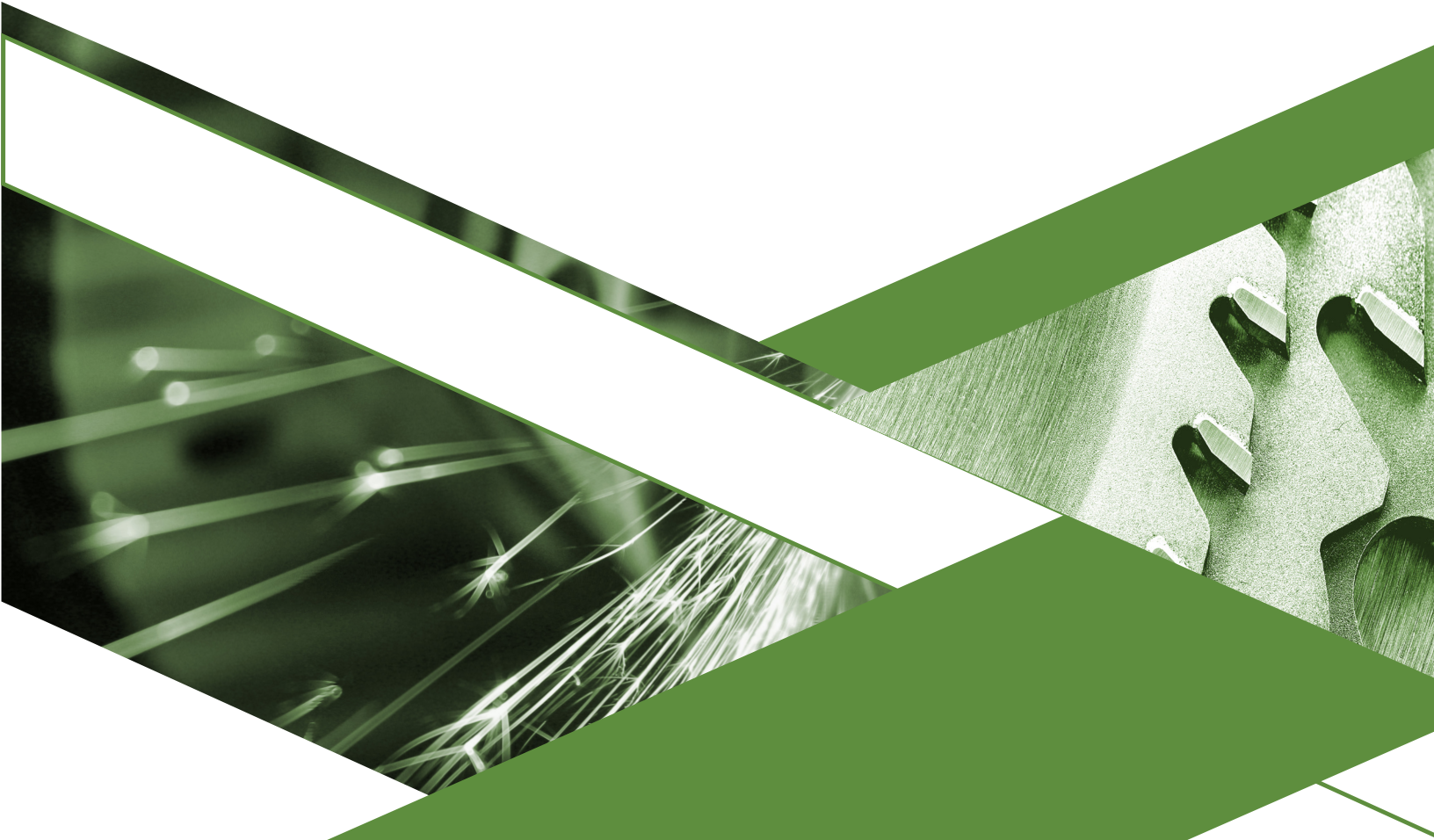




WILLIAMS & WHITE
EQUIPMENT



Product // Catalog

Accuracy / Innovation / Results



Table of Contents

Tools and Consumables

Saw Working Tools	4
Consumables and Accessories	5

Circular Saw Technology

Sharpening

TFX Top and Face Grinder	6-7
DSX Dual Side Grinder	8-9
HSS Saw Blade Grinder KNC (560H & 710H)	10-11

Tipping

H55 Ultimate Brazer - Automatic	12
H65 Ultimate Brazer - Automatic	13
H50 - H50PRO Ultimate Brazer - Automatic	14
HM Ultimate Brazer - Manual	15
T50 Tip Braze Strength Tester	16
Tension, Run-Out & Circularity Tester	17

Tensioning & Leveling

Dish-O-Matic Stretcher Roll	18-19
36X2 Automated Tension Roller	20-21
RSC Round Saw Center	22-23

Band Saw Technology

Sharpening

Shark 3000 Profile Grinder	24
Shark 600 Profile Grinder	25
Baracuda 750 Side Grinder	26

Tipping

Stingray Stellite / HSS Tipper	27
--------------------------------	-----------

Tensioning & Leveling

Hammerhead 3000 Auto-Bench	28-29
Trac-Tru Band Saw Bench	30-31
Standard Band Saw Bench	32-33
Dish-O-Matic Band Saw Stretcher Roll	34-35

Knife & Surface Grinding Technology

LSGX Knife and Surface Grinder	36-37
CKG / EKG Hewsaw Knife Grinder	38-39

Saw Guide Technology

GDX Guide Dresser	40-41
BGD Band Saw Guide Dresser	42
Saw Guides	43-44
SawSense Temperature System	45-47
Saw Guide Flow Equalization System	48
Saw Guide Lube System	49

Tool Grinding Technology

CA5 Tool Grinder	50-51
CA7 Broach Grinder	52-53
PVD Coating	54-55



About Us

+ As a leading industrial technology company, Williams and White harnesses its 60 years of experience as a third generation family business to develop optimized solutions to the tool production and saw mill industries.

With a niche focus in cutting tool production and saw filing activities, Williams and White is continuously developing specific technology for our customer's ever changing needs. We bring industrial automation to the most demanding requirements of filing rooms, tool rooms and grinding facilities.



Saw Working Tools

Circle saw leveling station

- + Easy height adjustable bench with hydraulic cylinder
- + Replaceable UHMW work surfaces
- + (2) 24" LED lights behind diffused screen
- + Standard slab sizes up to 30" - larger slabs available upon request
- + Slabs available in both mild steel and WW Nichrome Options



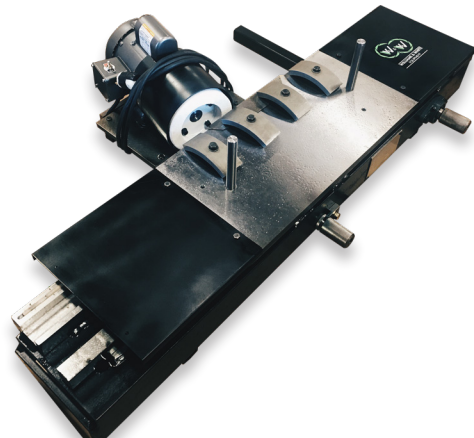
Leveling & hammering anvils

- + Precision ground
- + Anvils re-conditioning service available
- + All sizes of band or circular anvils available
- + Hard hammering pyramid anvils
- + Lazy susan type turntables and floor stands



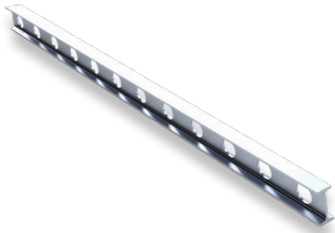
Tension gauge grinder

- + 18" (457mm) and 24" (609mm) models available
- + 0-20' (0-6,096mm) radii
- + Heavy duty design
- + Manual operation
- + Grinds: Tension Gauges & Straight edges
- + Linear bearing rails
- + Smooth movement



Aluminum I-Beam straight edges

- + Aluminum construction
- + Light weight
- + Up to 20' in length
- + Two working surfaces
- + Excellent for line bar adjustment 0.001" / foot accuracy



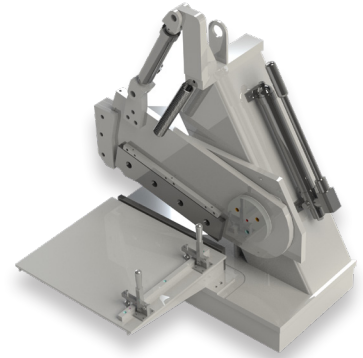
Saw filing hammers

- + All types and weights of hammers
- + Cross face / dog head / twist face / combination
- + Precision balanced



Band saw shear

- + Hydraulic actuation
- + Replaceable shears
- + Super heavy duty



Consumables & Accessories



Oil and water coolant



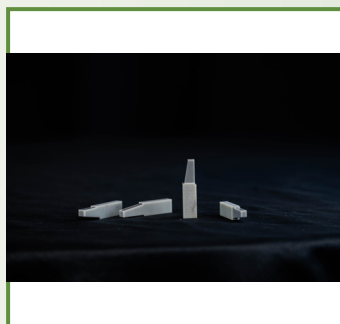
Grinding wheels



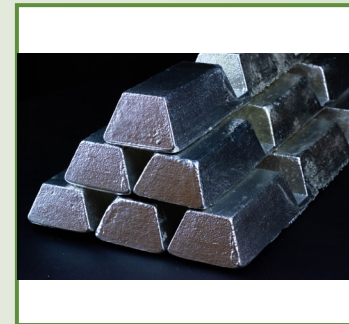
Rolls - dies & regrinds



Flux



Tips



Babbitt

For a complete list of all of our saw working tools visit our website



CNC Top & Face Grinder TFX



The TFX is a fully enclosed automatic top and face grinding machine for circular saw blades up to 36" (Optional 42") diameter. The automatic CNC operation allows the operator to continue his/her work as the machine sharpens the saws. Multi pass grinding and program saving make the TFX the ideal machine for any production or repair facility.

Highlights

- ✓ **Automatic operation with tooth counter** → For flexible and efficient operation
- ✓ **High precision bearings and linear slides** → For extreme accuracy
- ✓ **CNC multi pass grinding** → Increased accuracy and grind finish
- ✓ **CNC feed finger system** → Variable tooth pitch
- ✓ **CNC servo motion system** → Consistent and reliable positioning

Key Features

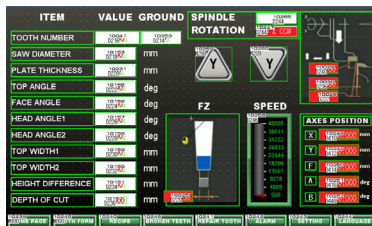
Variable pitch

- + CNC axis for variable pitch saws.



CNC controlled

- + Fully programmable for all tooth shapes.

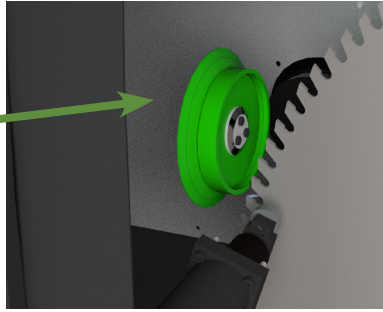


Grinding feed adjustment

- + Allows you to adjust your feed rate and regulate your grinding speed.
- + In and out feeds are independently adjustable.

Back to back facing and topping grinding wheels

- + Switch from topping to facing without changing grinding wheels.
- + Wheel lift-off



Heavy duty construction

- + Williams and White machines are known for extreme durability and reliability.

Tooth Styles

- ✓ Straight facing
- ✓ Straight topping
- ✓ Alternate facing
- ✓ Alternate topping
- ✓ Triple chip (single pass)
- ✓ High/low topping

Other Features

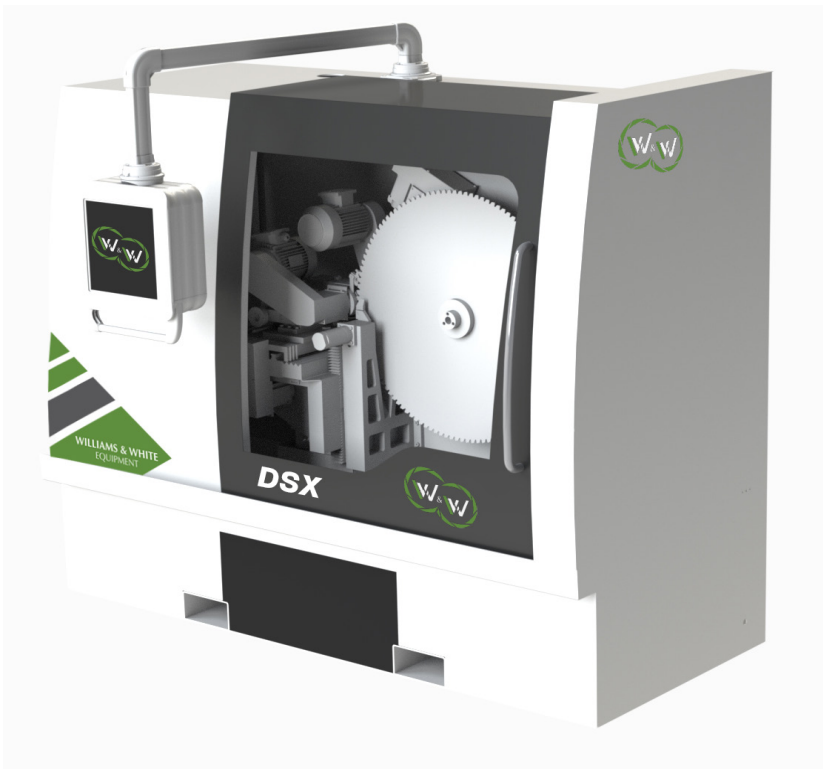
- ✓ Adjustable saw clamps
- ✓ Centralized lubrication
- ✓ 1 HP grinding motor
- ✓ CE Standard

Standard Specifications

Saw Diameter	3.5" – 36" (Optional 42")	80 mm – 920 mm (Optional 1,060 mm)
Clearance Angle	-10° - +40°	-10° - +40°
Plate Thickness	Up to .400"	Up to 10 mm
Back bevel grinding at tooth top	To 45°	To 45°
Saw Kerf	.040" - .400"	1 mm - 10 mm
Bevel grinding at tooth face	To 45°	To 45°
Power Requirements	480V 3ph	480V 3ph
Face Grinding Wheel	6.3" dia. x 1-1/4" bore	160 mm dia x 32 mm bore
Top Grinding Wheel	4" dia. x 1-1/4" bore	101 mm dia x 32 mm bore
Footprint	80" x 44" x 80H"	203 cm x 112 cm x 203H cm
Coolant Capacity	21 Gal	80 lt
Shipping Weight	2,500 lbs	1,150 kg



CNC Dual Side Grinder DSX



The DSX is a fully enclosed automatic dual side grinding machine for circular saw blades up to 36" (Optional 42") diameter. The automatic CNC operation allows the operator to continue his/her work as the machine sharpens the saws. Multi pass grinding and program saving make the DSX the ideal machine for any production or repair facility.

Highlights

- ✓ **Automatic operation with tooth counter** → For flexible and efficient operation
- ✓ **High precision bearings and linear slides** → For extreme accuracy
- ✓ **CNC multi pass grinding** → Increased accuracy and grind finish
- ✓ **CNC feed finger system** → Variable tooth pitch
- ✓ **CNC servo motion system** → Consistent and reliable positioning

Key Features

Variable pitch

- + CNC axis for variable pitch saws.



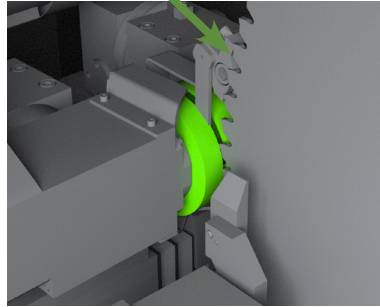
CNC controlled

- + Fully programmable for all tooth shapes.



Cup wheel grinding (optional)

- + Cup wheels provide a true grind geometry (no hour-glass shape)



Heavy duty construction

- + Williams and White machines are known for extreme durability and reliability.

Other Features

- Adjustable saw clamps
- Centralized lubrication
- 1 HP grinding motor
- CE Standard

Grinding feed adjustment

- + To program complex tooth shape grinding feed adjustment.
- + Depth of cut and grinding speed adjustable on the fly.

Standard Specifications

Saw Diameter	3.5" – 36" (Optional 42")	80 mm - 920 mm (Optional 1,060 mm)
Clearance Angle	-10° - +40°	-10° - +40°
Plate Thickness	Up to .400"	Up to 10 mm
Saw Kerf	.040" - .400"	1 mm - 10 mm
Power Requirements	480V 3ph	480V 3ph
Grinding Wheels	4" dia. x 1-1/4" bore	101 mm dia x 32 mm bore
Footprint	80" x 60" x 80H"	203 cm x 152 cm x 203H cm
Coolant Capacity	21 Gal	80 lt
Shipping Weight	2,500 lbs	1,150 kg



HSS Cold Saw Grinder

KNC-560H & KNC-710H



The KNC-560H and KNC-710H are automatic CNC saw grinders for HSS cold saw blades, friction saw blades and segmental saw blades in both manufacturing and re-sharpening applications.

Highlights

- ✔ **Grinding function for 6 different tooth forms** → For flexible and efficient operation
- ✔ **Easy operation & fast application** → Manufacture the un-toothed new saw blade with only one cycle
- ✔ **Self-Detection & Modular Control System** → Displays error on screen for easy troubleshooting
- ✔ **Tooth+Chamfer Grinding in one setup** → Stopping machine for adjustment is not required
- ✔ **Auto-Chamfering function** → Completely automatic and hands-free
- ✔ **Identical Outer Rim Grinding function** → Used saw blade can be ground to identical diameter

Key Features

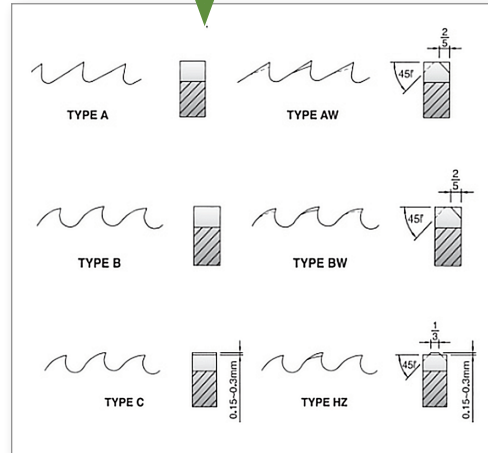
CNC controlled

- + Programmable tooth shapes, easy operation, and fast application



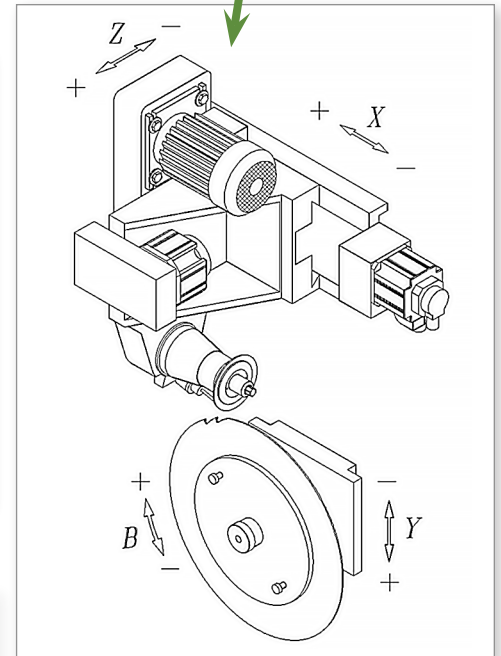
Tooth Grinding Profiles

- + 6 tooth form grinding functions are available



Traversing direction of NC axis

- + 4 Axis servo motor as shown



Heavy duty construction

- + Extreme durability and reliability



Accessories

- ✓ Saw blade holder
- ✓ Small saw blade base
- ✓ Internal lighting
- ✓ Auto machine lubrication system
- ✓ Wheel spindle auto lubrication system
- ✓ Heat exchanger of electrical cabinet
- ✓ High pressure cooling device
- ✓ Mist collecting device
- ✓ Magnetic Separator
- ✓ Tools

Options

- ✓ Small saw blade base 22mm
- ✓ A.V.R. Automatic Voltage Regulator
- ✓ Air conditioner of electrical cabinet
- ✓ Probe

Standard Specifications

Saw Diameter	KNC-560H: 1"(Optional), 1.5"~22" KNC-710H: 1"(Optional), 1.5"~28"	KNC-560H: 25mm(Optional), 40~560 mm KNC-710H: 25mm(Optional), 40~710 mm
Pitch range	0.9" (max)	24mm (max)
Grinding teeth limit	10 ~ 998 teeth	10 ~ 998 teeth
Thickness of saw blade	0.25" (max)	6.5mm (max)
Range of cutting angle	0.01°~ 30°	0.01°~ 30°
Feeding speed	2 ~ 60 teeth/min	2 ~ 60 teeth/min
Total electric power	13.4 hp	10kw
Big saw blade base	min 140(grind only), min 170(with chamfer)	min 140(grind only), min 170(with chamfer)
Small saw blade base	min 25(grind only), min 75(with chamfer)	min 25(grind only), min 75(with chamfer)
Grinding Wheel	7.87" dia x 1.25" bore x 0.4" thick	200 mm dia x 32 mm bore x 10mm thick
Footprint	66"x 98" x 91"	167 cm x 248 cm x 231 cm
Weight	5577 lbs	2530kgs
Coolant Capacity	60 liters/min	60 liters/min



CIRCULAR SAW SOLUTIONS

TIPPING

// Ultimate Brazer H55

For wood cutting saw blades

Highlights:

- + Fastest brazing machine in the world
- + 5 Axis servo control.
- + Smart camera for capturing different size and shape of saw tips.
- + Precise dispensing flux in line or in small dots.
- + Engineered for quick change over to different materials by "one touch setting" in Software and mechanical settings.
- + Eco drive mode turns off the electricity and the compressed air for saving electricity.
- + Intelligent error display showing the reason, position, time and recovered time.
- + Remote maintenance via network interface.
- + Fixed tip centering system of the saw body and the saw tip.
- + Automatic annealing cycle with temperature control and choice of disabling annealing process.



Specifications

Saw blade diameter	6.3"-21.6"	160mm -550mm
Tip length	0.08"-0.49"	2mm-12.5mm
Tip width	0.07"-0.31"	1.8mm-8mm
Hook angle	-10 - +30	-10 - +30
Brazing time	4 -10 sec/Tip	4 -10 sec/Tip
HF generator	7.5hp	5.6kW
Air pressure	72.5psi	5.1kg/cm ²
Electricity	240V - 1ph 50/60hz, 8kW	240V - 1ph 50/60hz, 8kW
Dimension	L98.4" x W61.4" x H74.0"	L2500 x W1560 xH1880mm
Weight	4189lb	1900Kg

CIRCULAR SAW SOLUTIONS

TIPPING

/// Ultimate Brazer H65

For metal cutting saw blades

Highlights:

- + Reduced heat effect on saw body.
- + Modern design and unique way of working to your advantage.
- + Imaging of different saw tip shapes and sizes.
- + No more conventional brazing - special feature of the heating inductor.
- + Unique 90° flux dispensing system for cermet saw tips.
- + Linear controlled loading and unloading system.
- + Integrated water cooling - water tank drawer for easy cleaning.
- + Program controlled for off-center brazing of the saw tips.
- + Intelligent fault indication with cause, place, date, time and duration of the disturbance.
- + Database stores up to 75 parameters of different saw blades.



Specifications

Saw blade diameter	5.9"-25.5"	150mm -650mm
Tip length	0.08"-0.49"	2mm-12.5mm
Tip width	0.07"-0.3"	1.8mm-8mm
Hook angle	-10 - +30	-10 - +30
Brazing time	6 -10 sec/Tip	6 - 10 sec/Tip
HF generator	7.5hp	5.6kW
Air pressure	72.5psi	5.1kg/cm ²
Electricity	240V - 1ph 50/60hz, 10kW	240V - 1ph 50/60hz, 10kW
Dimension	L98.4" x W61.4" x H74.0"	L2500 x W1560 xH1880mm
Weight	4189lb	1900Kg



CIRCULAR SAW SOLUTIONS TIPPING

Highlights:

The most cost effective brazer in the world!

Ultimate Brazer H50 & H50 PRO

- + Engineered for quick change over to different materials by "one touch setting" in software and mechanical settings.
- + Engineered for faster brazing time.
- + New software with user friendly touch screen operating controls with icon based command sequences.
- + Intelligent error display showing the reason, position, time and recovered time.



- + Automatic annealing cycle with temperature control and choice of disabling annealing process.
- + Dual laser sensor for capturing different size and shape of saw tips.
- + Eco drive mode turns off power for reducing electricity usage.
- + 3 axis servo control.
- + Precise dispensing of flux in line or in small dots.

H50 PRO Features:

- Heating inductor coil up/down function
- Smart camera sensor for capturing different size and shape tips with extreme accuracy and simple setup.
- Bowl feeder with feedback sensor and vibrator controller
- Built-in automatic tip removal feature

Specifications

Saw blade diameter	3.9"-31"	100mm -800mm
Tip length	0.15"-0.47"	4mm-12mm
Tip width	0.06"-0.3"	1.6mm-8mm
Hook angle	-10 - +30	-10 - +30
Brazing time	5.5 -7 sec/Tip	5.5 -7 sec/Tip
HF generator	1.34hp/7.5hp	3.5kW/5.6kW
Air pressure	70psi	5kg/cm ²
Electricity	240V - 1ph 50/60hz, 7kW	240V - 1ph 50/60hz, 7kW
Dimension	L64" x W46" x H66"	L1650 x W1185 xH1680mm
Weight	1,984lb	900Kg

CIRCULAR SAW SOLUTIONS

TIPPING

Highlights

Ultimate Brazer // HM

- + Adjustable temperature, holding time and cooling time with automatic annealing cycle
- + Ideal for saw repair or special saw blade brazing
- + Easy set-up and operation



- + Precision manual brazing machine
- + Single tip is brazed automatically with the push of a button
- + Fully programmable induction heater

Specifications

Saw blade diameter	4.7"-31"	120mm -800mm
Tip length	0.15"-0.47"	4mm-12mm
Tip width	0.06"-0.43"	1.6mm-11mm
Hook angle	-10 - +30	-10 - +30
Brazing time	5.5 -7 sec/Tip	5.5 -7 sec/Tip
HF generator	1.34hp/7.5hp	3.5kW/5.6kW
Air pressure	70psi	5kg/cm ²
Electricity	240V - 1ph 50/60hz, 7kW	240V - 1ph 50/60hz, 7kW
Dimension	L64" x W46" x H63"	L1650 x W1185 xH1600mm
Weight	1,102lb	500Kg



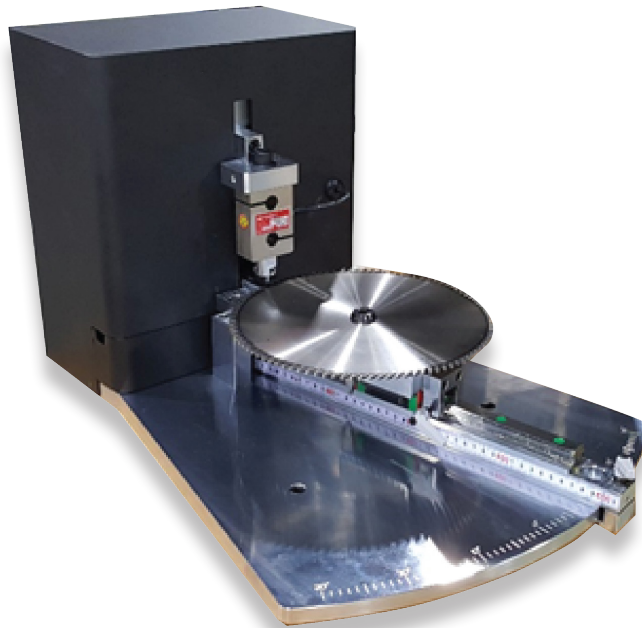
Highlights

Brazing Strength Tester T-50/Pro

+ Digital Indicator: External display of min/max setting value

+ Load cell: Alloy tool steel construction for high accuracy

+ Record printer



+ Easy operation

+ Safety cover included

+ Load cell for testing

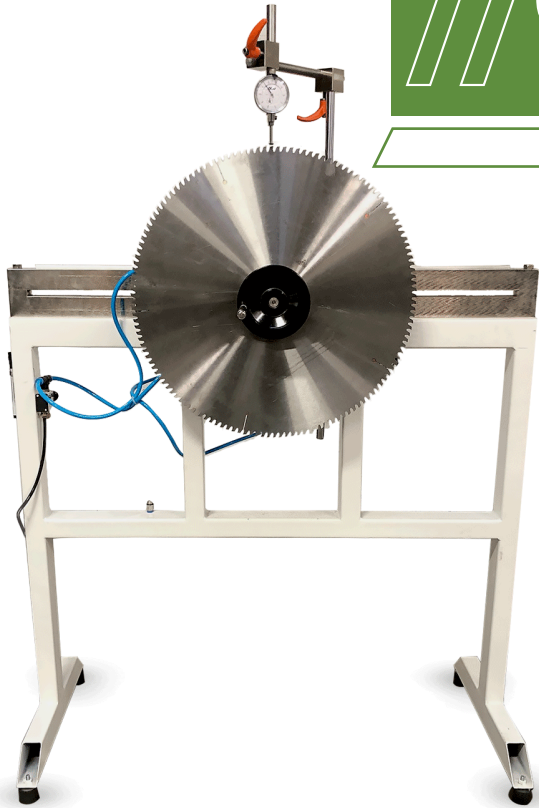
+ Non-destructive testing with T50 Pro

Specifications

Saw blade diameter	3.9"-19.7"	100mm -500mm
Hook angle	-10° -+30°	-10° -+30°
Load cell capacity	2200lb	max 1 ton
Machine dimensions	L:37" X W:24 X H: 55"	L:940mm X W:600mm X 1400mm
Electricity	240V. 1Ph, 50/60Hz	240V. 1Ph, 50/60Hz
Weight	440"	200kg



Tension, Run-Out & Circularity Tester



The Williams & White Tension, Run-Out & Circularity Tester, measures three criteria of circular saw blades; The flatness of a saw blade, the circularity of a saw blade and the tension of a saw blade. This equipment helps to accurately inspect a saw blade and ensures the quality of a saw before it is put into use.

Highlights

- ✓ **Heavy duty frame construction** → Built to last
- ✓ **Easy operation** → To save set-up time & avoid complication
- ✓ **Constant pneumatic pressure input** → For simple, reliable tension testing
- ✓ **Smooth and easy saw rotation system** → For efficient operation
- ✓ **Small footprint** → To fit anywhere in your shop

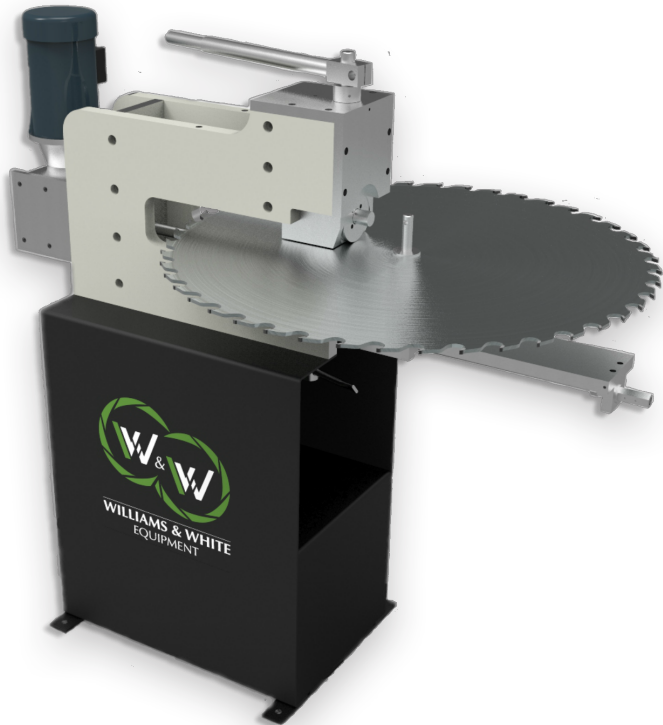
Specifications

Circle saw capacity	36"	914 mm
Plate Thickness	Up to 0.250"	Up to 6 mm
Dimensions	40" x 40" x 12"	100 x 100 x 30 cm
Air requirement	80 psi	80 psi



CIRCULAR SAW SOLUTIONS TENSIONING & LEVELING

Dish-O-Matic Round Saw Stretcher Roll



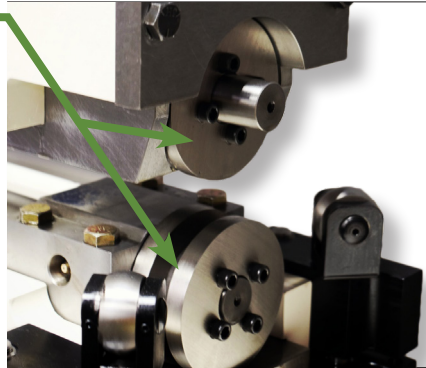
The Williams & White Dish-O-Matic Stretcher Roll is essential in all saw production and maintenance facilities. The patented Dish-O-Matic system allows operator to tension and level saws in the most efficient and accurate manner. This machine is the most durable in the industry and is installed in thousands of filing rooms and saw shops worldwide.

Highlights

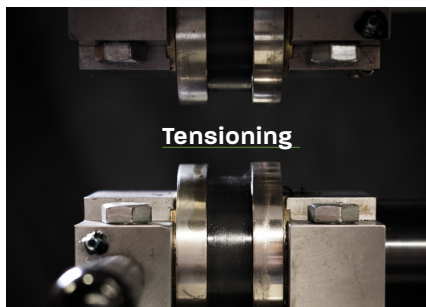
- ✓ **Heavy-duty C-frame construction** → Robust design is built to last
- ✓ **Smooth moving easy slide system** → High-precision roll placement
- ✓ **Patented Dish-O-Matic system** → Saw tensioning & leveling on one machine
- ✓ **Manual or hydraulic roll pressure** → Reduces heavy saw hammering
- ✓ **Foot pedal saw rotation** → For simple operation

Dish-O-Matic system

- + Patented Williams & White Dish-O-Matic Stretcher Roll allows the operator to tension and level the blade in one setup.
- + The system requires approximately 80% less hammering when compared to the leading competitors' manual circular saw stretchers.



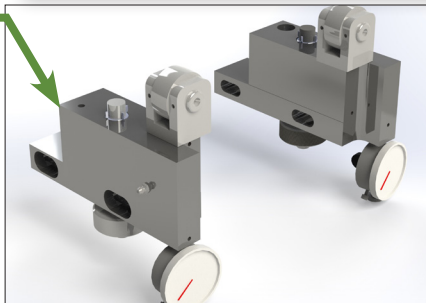
Leveling



Tensioning

NEW #36 de-kinker rolls

- + Simple bolt on upgrade for your stretcher roll (Armstrong or Williams and White).
- + Heavy duty
- + Hardened rolls
- + Dial indicator adjustments



Models

#36 Stretcher	Up to 36" diameter
#72 Stretcher	Up to 72" diameter
#108 Stretcher	Up to 108" diameter
#120 Stretcher	Up to 120" diameter

Specifications

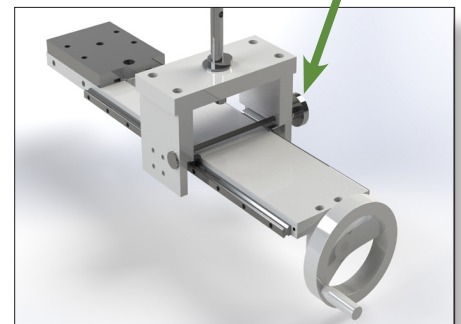
Circle saw capacity	8"-120" (dependent on model)	203mm-3,048mm (dependent on model)
Plate size	Up to 0.4"	Up to 10mm
Standard roll radius	6"	150mm
Weight	850lb-1500lb	385kg -680kg
Dimensions	H: 52" W: 20" L:56"	H:20mm W:51mm L:1412mm
Voltage	480 Vac, 3 Ph, 60Hz	480 Vac, 3 Ph, 60Hz
Power	3kVA	3kVA

Options

- + Digital pressure gauge
- + Hydraulic roll pressure
- + Strobe sensor
- + Variable speed rolls

NEW Easy-slide (#36 stretcher)

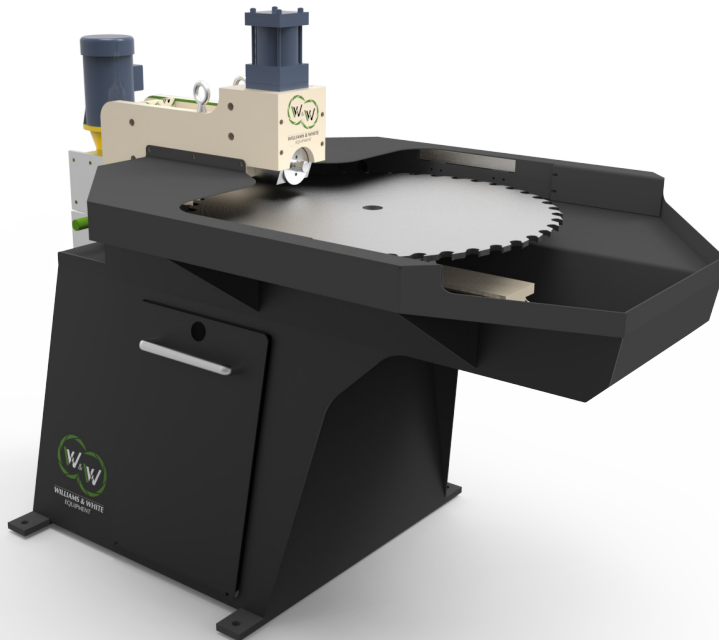
- + Conversions available for any stretcher roll.
- + Can be added to any Williams & White #36 Stretcher.
- + The system allows the saw to move in and out of the rolls smoothly resulting in accurate and efficient saw positioning.
- + The easy-slide is included on all new #36 models and can be retrofitted to any existing Williams & White #36 Stretcher roll machine.
- + Heavy duty
- + Linear rail guides
- + Linear precision brake





CIRCULAR SAW SOLUTIONS TENSIONING & LEVELING

CNC Automated Tension Roller 36X2



The Williams & White 36X2 is a CNC pattern tension roller designed for tension rolling circular saw blades. This new technology implements automation and added safety features to the highly renowned Williams & White Dish-O-Matic Stretcher Roll. The 36X2 allows the operator to program saw tension combinations and uses servo and hydraulic controls to deliver the most accurate and repeatable results in the industry.

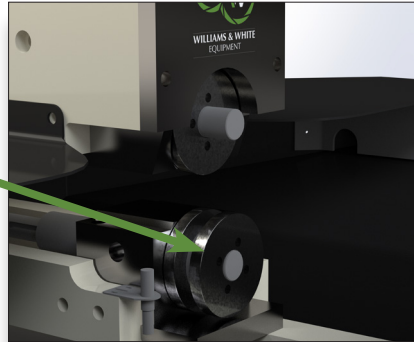
Highlights

- ✓ **Fully programmable touch screen** → 10" HMI on separate operator stations
- ✓ **Dynamic tension roll pressure** → Accurate to 10 PSI
- ✓ **Store up to 500 tension combinations** → Repeatable programs for every saw
- ✓ **Light curtain guarding in rolling area** → For increased safety
- ✓ **Servo-driven saw center** → For precise rolls every time

PERFECT FOR MEDIUM-HIGH PRODUCTION FACILITIES!

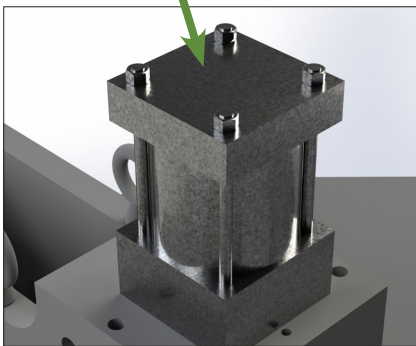
CNC roll pattern Saw tensioning

- + The 36X2 can be programmed to roll defined tension positions on the saw at any diameter and pressure. This feature allows the user to program all tension requirements beforehand, resulting in a highly efficient process with reduced repetitive labor requirements.



Smart roll pressure system

- + The 36X2 has real-time pressure sensing compensation software.
- + This means it can automatically compensate for inconsistent mechanical properties in the saw plate, resulting in highly accurate, highly repeatable tension bands.



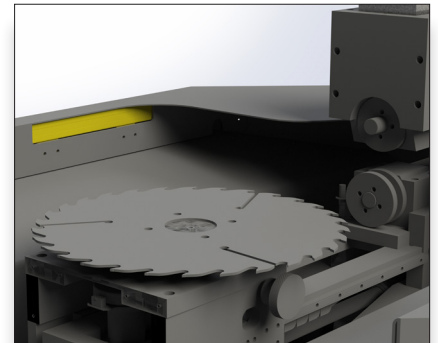
Teach function

- + Users can program the machine using a convenient teach function. The teach function enables the user to jog the Machine to specific locations, mimicking the traditional process to develop the CNC program.
- + Reduce tensioning time by up to 50%

Integrated saw lift to avoid any scratches

Safety & ergonomics

- + The 36X2 reduces repetitive motion strains and the injuries by eliminating manual tensioning.



Loader ready

The 36X2 can be used alongside the Williams and White Robotic Loader, transforming this machine into a fully automated tensioning station



Options

- + **Strobe sensor**
The 36X2 strobe sensor automatically detects and avoids strobes.

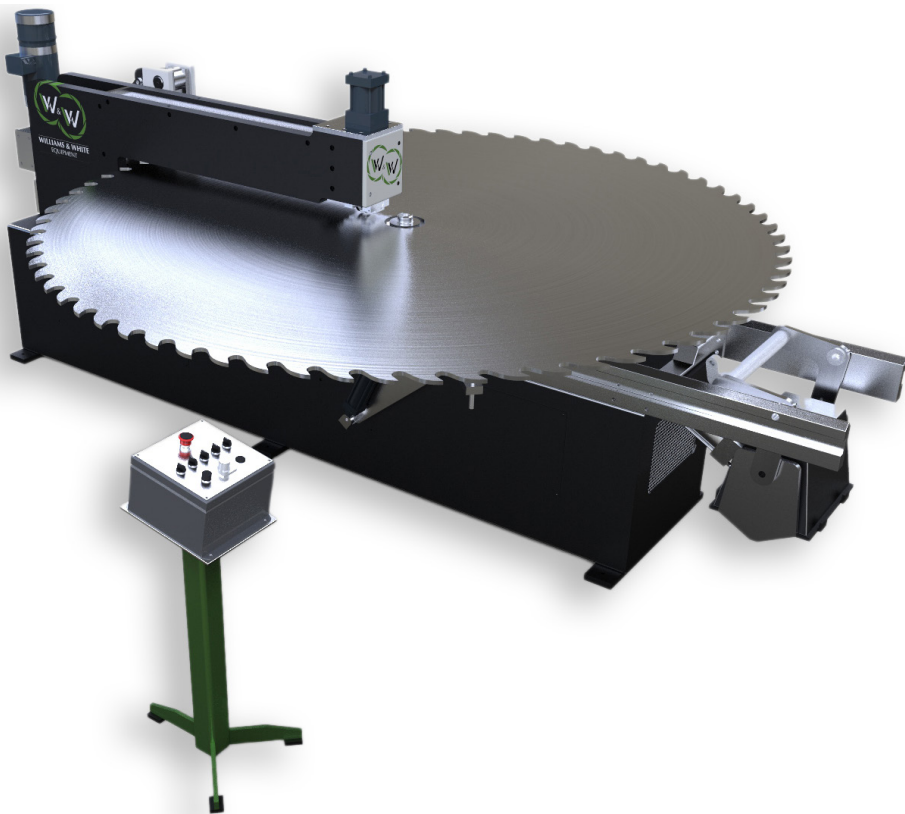
Specifications

Circle saw capacity	Up to 36"	914mm
Plate thickness	Up to 1/2" thick	Up to 12.7mm thick
Dimensions	H:62" L: 73" W:46"	H:1575mm x L:1845mm W:1168mm
Standard roll radius	6"	152mm
Shipping weight	1200lb	544kg
Voltage	480 Vac, 3 Ph, 60Hz,	480 Vac, 3 Ph, 60Hz,
Power	5kVA	5kVA



CIRCULAR SAW SOLUTIONS TENSIONING & LEVELING

Round Saw Center



The Williams & White Round Saw Center is the ultimate Stretcher roll, designed to load and repair large diameter saws in the safest way possible. Hydraulic loading allows for efficient saw handling while ensuring safety by eliminating heavy lifting and dangerous maneuvers

Highlights

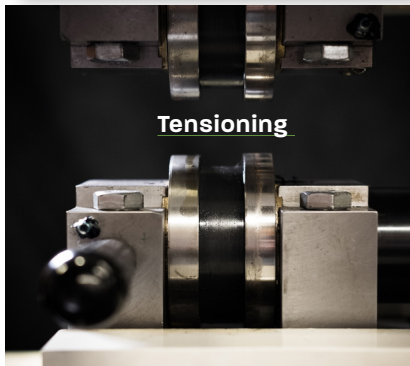
- ✓ **Hydraulic saw loading system** → load large diameter saws with ease
- ✓ **Heavy duty all steel construction** → robust design is built to last
- ✓ **Patented Dish-O-Matic system reduces need for heavy hammering** → tension & level saw on one machine
- ✓ **Floating anvil for hammering (60Rc)** → tension & hammer on the same machine
- ✓ **Hydraulic roll pressure** → reduces heavy saw hammering

Dish-O-Matic roll system

- + For precise tensioning and leveling on one machine. The DOM II roll system allows the filer to tension and level the saw with one machine.
- + Off-set roll diameter for unobstructed tensioning.



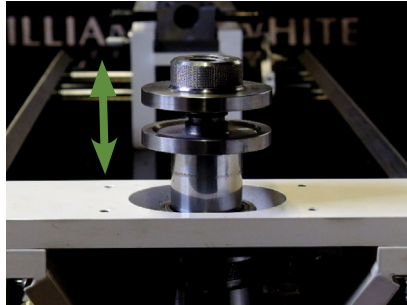
Leveling



Tensioning

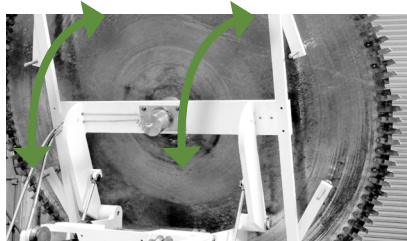
Hydraulic spindle lift

- + The hydraulic spindle lift (option) shuttles the spindle up and down to lower it from the saw eye. This enables filers to slide the saw further back to make repairs in close proximity to the saw eye.



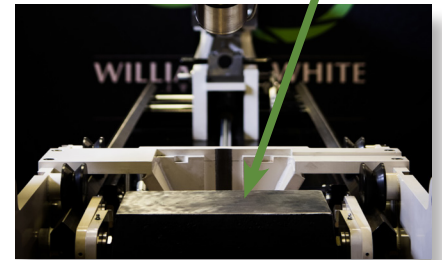
Vertical loading system with hydraulic lift

- + For improved safety and easy loading of large diameter saws.



Floating saw anvil

- + The Williams & White Round Saw Center is the only large saw stretching machine with a floating anvil. This enables filers to hammer the saw without transferring to a benching station.



Options

Variable speed rolls

Customize roll speed for your operation.

Hydraulic tooth setter

Integrated into the machine to set kerf automatically

Heavy duty (HD) models are available for extra thick saws and heavy production

Models

#72 RSC

(manual, semi hydraulic, fully hydraulic options) Up to 72" diameter saws

#108 RSC

(manual, semi hydraulic, fully hydraulic options) Up to 108" diameter saws

#120 RSC

(completely hydraulic) Up to 120" diameter saws

Specifications

Circle saw capacity	Up to 120" (dependent on model)	914mm (dependent on model)
Plate thickness	Up to 1/2" thick (standard model)	Up to 12.7mm thick (standard model)
Dimensions	H:59" L: 173" W:108"	H:1498x L:4394mm W:2743mm
Standard roll radius	6"	150mm
Shipping weight	2,600lb-5,500lb	1,496kg-2,500kg
Voltage	480 Vac, 3 Ph, 60Hz,	480 Vac, 3 Ph, 60Hz,
Power	4kVA	4kVA

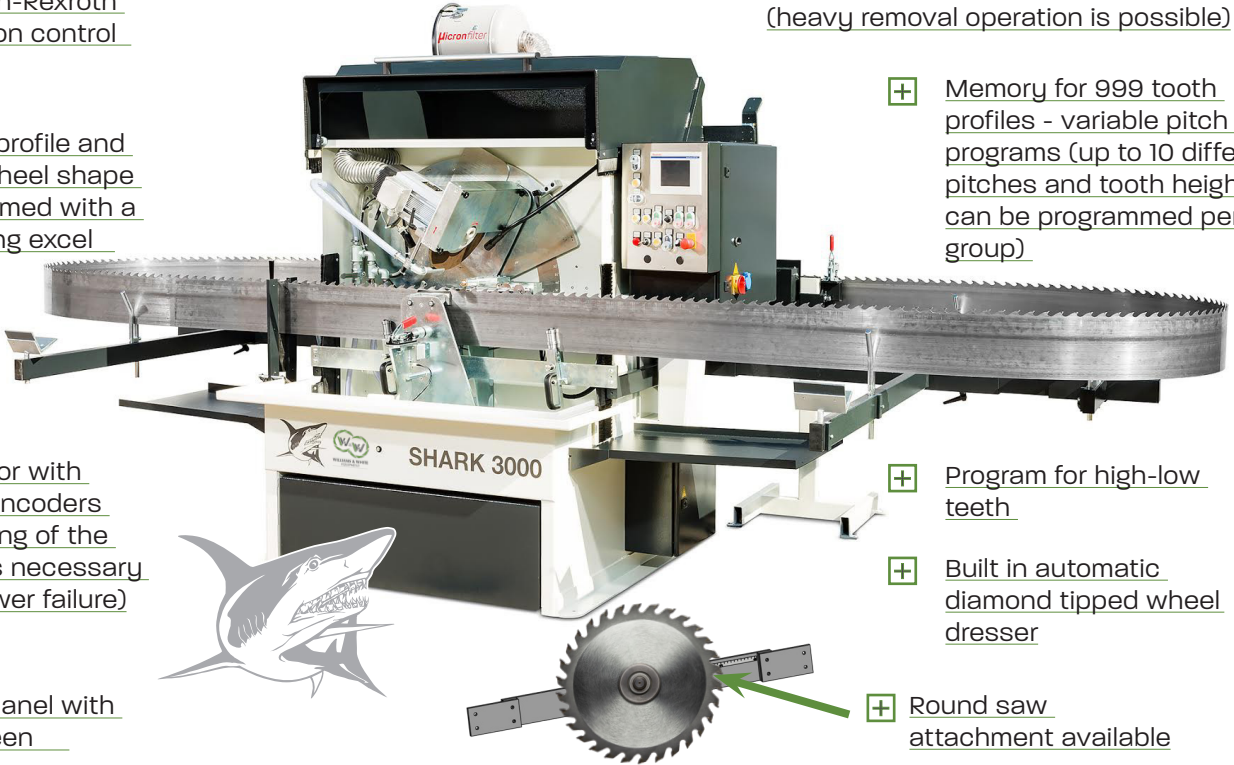


BAND SAW SOLUTIONS SHARPENING

Shark 3000

CNC Profile Grinder

- + CNC Bosch-Rexroth Indra motion control
- + Grinding wheel is direct driven, eliminates vibrations and deep pass (heavy removal operation is possible)
- + The tooth profile and grinding wheel shape is programmed with a laptop using excel
- + Memory for 999 tooth profiles - variable pitch programs (up to 10 different pitches and tooth heights can be programmed per group)
- + Servo motor with absolute encoders (no resetting of the machine is necessary after a power failure)
- + Program for high-low teeth
- + Built in automatic diamond tipped wheel dresser
- + Operator panel with touch screen
- + Round saw attachment available



Specifications

Saw blade width	1.2"-14.1"	30mm-360mm
Blade Thickness	0.02"-0.19"	0.6mm-5mm
Variable pitch	0.47"- 2.36"	12mm-60mm
Adjustable tooth height	0.16"-0.98"	4mm-25mm
Hook angle	0° to 38°	0° to 38°
Working speed adjustable	0-20 teeth/min	0-20 Teeth/min
Grinding wheel diameter	13.8"- 11"	350mm-280mm
Grinding wheel thickness	0.3"-0.6"	8mm-15mm
Grinding wheel motor	4kw	4kw
Pump cooling system	160l/min	160l/min
Machine dimensions	L:173" X W:78" X H:64"	L:4384mm X W:1911mm X H:1615mm
Electricity	10kVA, 3 ph, 480VAC	10kVA, 3 ph, 480VAC

BAND SAW SOLUTIONS

SHARPENING

Shark 600

Profile Grinder

- + Central electrical blade height adjustment
- + Saw blade clamping system, clamps the blade automatically tight when grinding
- + Grinding wheel is direct driven, eliminates vibrations and deep pass (heavy removal operation is possible)



- + Grinding heads are guided by preloaded linear bearing technology to assure optimum accuracy
- + Cam driven head and feed system
- + Simple and user friendly
- + Round saw attachment available

Specifications

Band saw width	1.2"-13"	30mm-330mm
Blade thickness	0.02"-0.08"	0.6mm-2mm
Pitch adjustable	0.4"-2.36"	10mm-60mm
Tooth height min/max	0.15"- 1"	4mm-25mm
Hook angle	80°-38°	80°-38°
Working speed	0-12 teeth/min	0-12 teeth/min
Grinding wheel diameter	11"-7.8"	300mm-200mm
Grinding wheel thickness	0.3"-0.6"	8mm-15mm
Pump cooling system	10l /min	100 l/min
Electricity	10kVA, 3 ph, 480VAC	10kVA, 3 ph, 480VAC



BAND SAW SOLUTIONS SHARPENING

Baracuda 750

Side Dressing Machine

- + Central electrical blade height adjustment
- + Saw blade clamping system, clamps the blade automatically when grinding
- + Grinding wheel is direct driven, eliminating vibrations and enabling deep pass (heavy removal operation is possible)



- + Grinding heads are guided by preloaded linear bearing technology to ensure accuracy
- + CNC control
- + Simple and user friendly
- + Round saw attachment available

Specifications

Band saw width	0.8"-13"	20mm -330mm
Blade thickness	0.02"-0.2"	0.6mm-5mm
Pitch adjustable	0.4"- 4"	10mm-100mm
Working speed	0-16 teeth/min	0-16 teeth/min
Wheel diameter	5"	125mm
Grinding wheel motor	2-2.5Hp with electronic speed regulation	2- 1.8 kW with electronic speed regulation
Coolant pump	0.66Hp, 40 l/min	0.5kW, 40 l/min
Electricity	480VAC, 3 ph, 50/60Hz	480VAC, 3 ph, 50/60Hz

BAND SAW SOLUTIONS

TIPPING -STELLITE/HSS

Stingray

Band saw tipper

- + Plasma or TIG welding
 - + Gas or induction annealing (stand alone unit available)
 - + Melts hard facing materials in copper molds that are preformed to suit the teeth of the saw blade
 - + Fully automatic tipping
 - + Simple and user friendly interface
 - + Round saw attachment available
- 

Specifications

Band saw width	1"-14"	30mm -360mm
Blade thickness	0.02"-0.15"	0.6mm-4mm
Pitch adjustable	0.78"-4"	20mm-100mm
Working speed	3-6min	3-6min
Welding material	Stellite /HSS rod or wire	Stellite
Dimension	L:161.2" X W:72.4" X H:72.8"	L:4094mm X W:1838mm X H:1850mm
Weight	2,645lb	1,200kg
Electricity	480VAC, 3 ph, 50/60Hz	480VAC, 3 ph, 50/60Hz



Auto Bench Hammerhead 3000



FULLY AUTOMATIC

The Hammerhead 3000 Auto-Bench is an all-in-one band saw processing center.

Designed to automatically tension and level a band saw with ease, the Hammerhead 3000 is a must have for any sawmill or band saw producer.

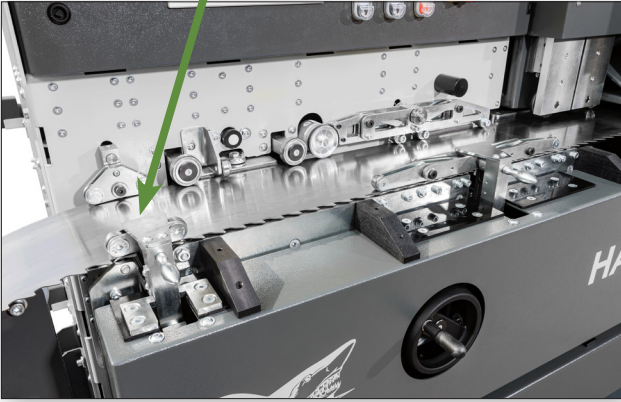
Highlights

- ✓ **Fully automatic** → Leveling and tensioning of band saw blades
- ✓ **Carbide tungsten tensioning rolls** → For longer life
- ✓ **Touch screen control** → Simple and easy operation
- ✓ **High accuracy measuring system** → With high-precision, ruby-tipped touch sensors
- ✓ **Auto tracking system** → Automatically maintains saw blade alignment
- ✓ **Saw blade Feeder** → Saw is driven with two feeder rolls
- ✓ **Double head system** → 2 Independent tensioning and Leveling heads
- ✓ **Protected working area** → By an optic curtain

Key Features

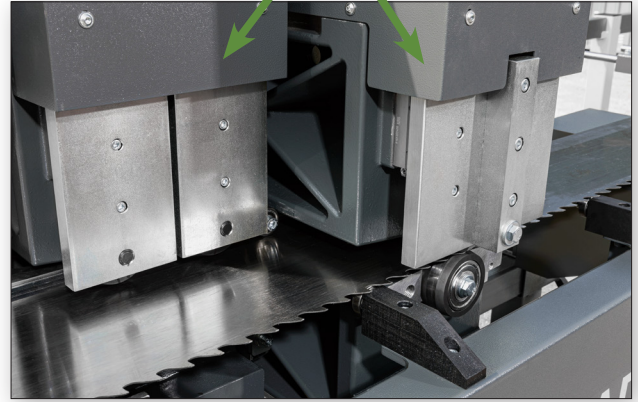
Precision tension measurement system

- + Touch probe measures saw along entire width allowing exact placement of tension curve and tire lines



Double head system

- + independent tensioning and leveling heads for more control



Touch screen control

- + Simple and easy operation



Fully automatic band saw center

- + Machine measures while in operation to determine the performance during the cycle and provides feedback to the user when the saw is ready to run



Specifications

Saw blade width	3"-13"	80-330 mm
Saw blade length	16'-46'	5-14 m
Saw blade thickness	0.03"-0.08"	0.7-2.0 mm
Working speed	59'/Min	18 m/Min
Leveling tolerance	0.0008"-0.0015"	0.02-0.04 mm
Tensioning tolerance	0.0015"-0.003"	0.04-0.08 mm
Weight	3970 lb	1800 kg
Dimensions	W: 51" X H: 74" X L: 252"	W: 1296mm X H:1875 X L:6391
Electricity	480VAC, 3 ph, 50/60Hz	480VAC, 3 ph, 50/60Hz

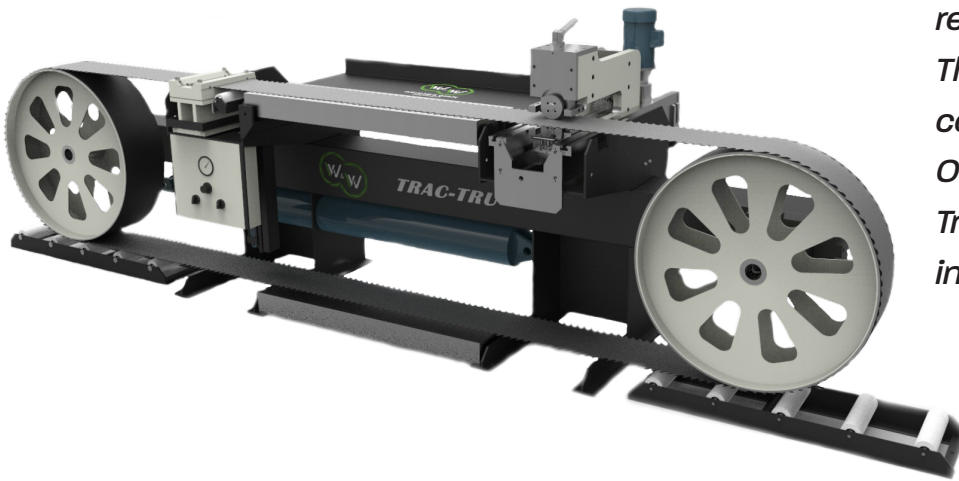


TENSIONING & LEVELING BAND SAW SOLUTIONS

Trac Tru Band Saw Bench

NO NEED TO FLIP THE SAW WITH THE DOM II TRAC TRU BENCH

The Williams & White Trac Tru band saw bench is a one-stop repair center for band saws. The rugged box beam, universal columns and our patented Dish-O-Matic system make the Trac Tru the best and most functional in the industry.

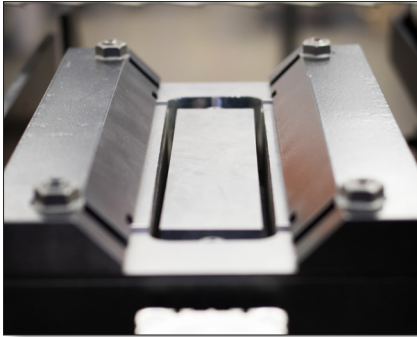


Highlights

- ✔ **Box-frame construction** → Makes this the most durable stable bench in the industry
- ✔ **Air-strain cylinders** → Tightens the saw and eliminates the need for weights
- ✔ **2 Nichrome anvils** → For top and bottom hammering
- ✔ **Integrated lighting** → For precision inspection
- ✔ **Can handle saws from 28' - 60'** → Versatile for your shop

Welding clamp

- + The deluxe bench model is equipped with a welding clamp and welding slide. The welding slide enables you to easily move the clamp when it is not in use.



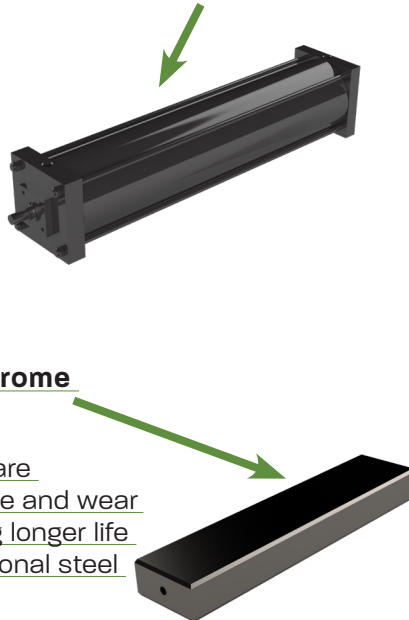
Inspection lift

- + Standard on all deluxe models, the inspection lift allows the operator to raise the saw for further inspection.



Standard Nichrome leveling slabs

Nichrome slabs are extremely durable and wear resistant offering longer life span than traditional steel slabs.

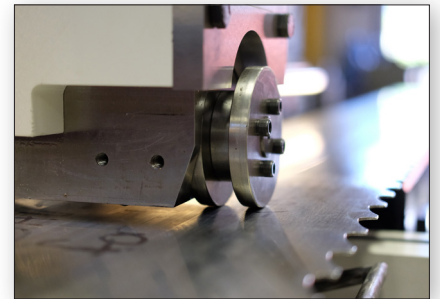


Expansion cylinder & multi-length

- + Uses an air-strain expansion cylinder to pull the saw blade, eliminating the need for weights.
- + Multi-length option available, which is intended for benches that work on multiple band saws of different lengths. This addition enables you to expand or compress the bench from one to twelve feet.
- + The ability to run multiple saws off of one bench reduces the amount of space required in your filing room or saw shop.

Williams and White Dish-O-Matic II System

- + Patented Williams & White Dish-O-Matic II Stretcher Roll allows the operator to tension and level the blade in one setup.
- + Drastically reduces the amount of hammering required.



Options

- + Height control
- + Electronically controlled wheel alignment
- + Electronically controlled roll positions
- + Integrated inspection lighting
- + Option to have a welding clamp heater, which heats the welding clamp and creates higher-quality welds.

Trac Tru #10	Trac Tru #17
+ Up to 10" wide saw	+ Up to 17" wide saw

Specifications

Band saw length capacity	Up to 60'	Up to 18.3m
Band saw width capacity	Up to 17"	Up to 430mm
Standard roll radius	6"	150mm
Shipping weight (38' saw)	Approx 4500lb	Approx 2050kg
Electricity	480Vac, 3ph, 60hz	480Vac, 3ph, 60hz
Dimensions (36 wheel)	W: 52" X H: 58" X variable length	W: 1320mm X H: 1470mm X variable length

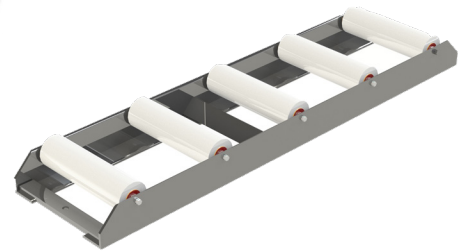


TENSIONING & LEVELING BAND SAW SOLUTIONS

Standard Band Saw Bench



The Williams and White Standard band saw Bench is designed to be a universal band saw maintenance station. This bench provides all the necessary features to maintain your band saws in a heavy duty package.

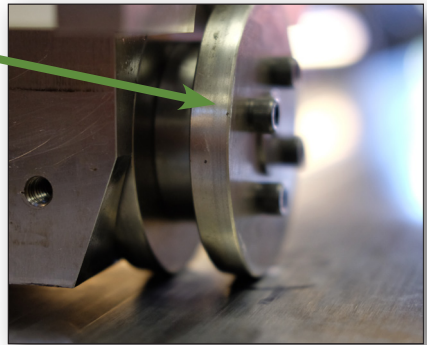


Highlights

- ✓ **Square beam design** → For durability and stability
- ✓ **Will fit all stretcher brands** → Versatility for all environments
- ✓ **Mild steel or Nichrome precision ground anvils available** → For hammering (both sides)
- ✓ **Manual extendable saw length adjustment** → To fit multiple lengths of saws
- ✓ **Manual saw lift** → For saw inspection

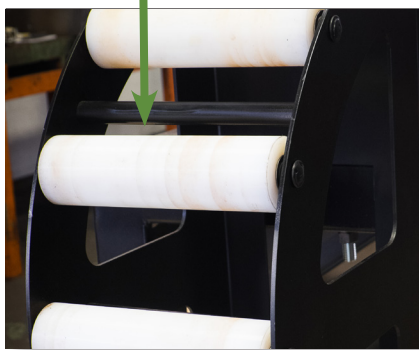
Williams and White Dish-O-Matic II System

- + Patented Williams & White Dish-O-Matic II Stretcher Roll allows the operator to tension and level the blade in one setup
- + Drastically reduces the amount of hammering required
- + Reduces the need to flip the saw



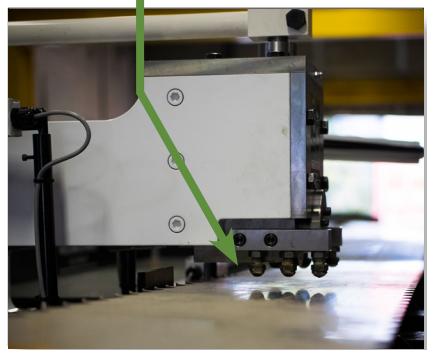
Extendable saw turn around

- + UHMW turn around tracks can extend and contract for varying saw lengths



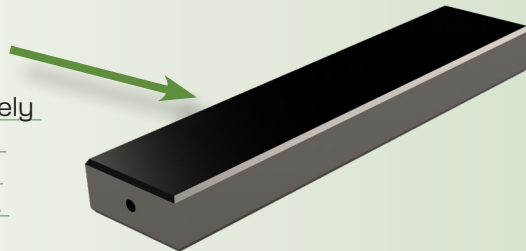
Hardened alignment bolts

- + Both top and bottom of saw for stability as the saw tracks through the rolls



Available Nichrome leveling slabs

- + Nichrome slabs are extremely durable and wear resistant and offer a longer life span than traditional steel slabs.



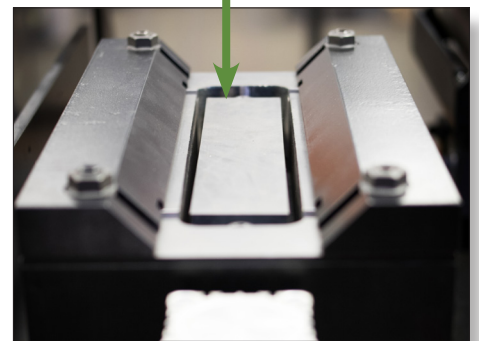
Options

UHMW air inspection lift

- + Lifts the saw while in place on the bench to efficiently inspect band saw blade tension
- + Hydraulic roll pressure
- + Large anvil upgrade
- + Variable speed rolls
- + Additional floor tracks

Band saw welding clamp

- + Hardened and ground hammering anvil
- + Optional heating element
- + Spring retraction
- + 10", 12", 16" capacity
- + Pneumatic clamping



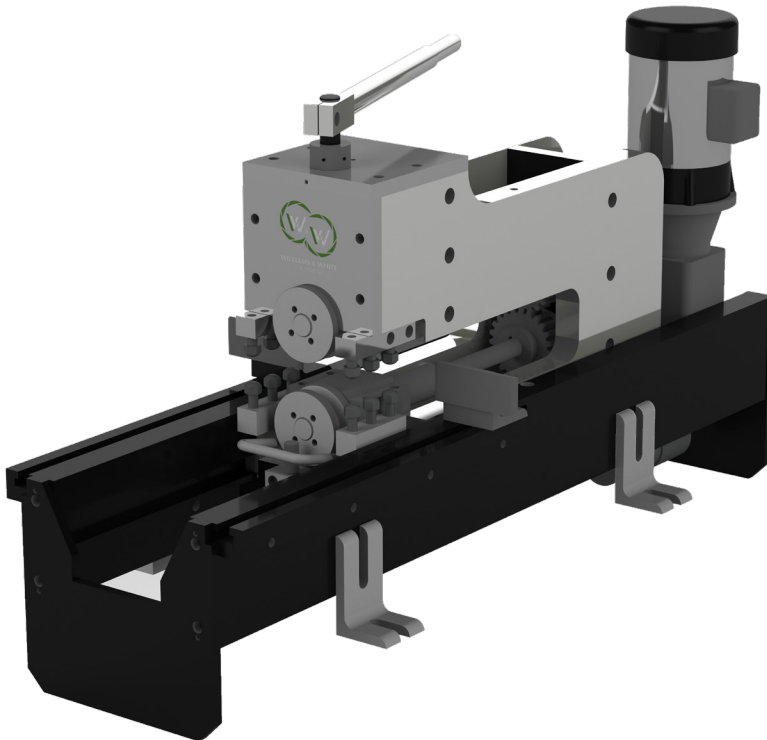
Specifications

Wheel diameter	(2) 36 Inches	(2)914mm
Leveling slabs	(2) 36" x 8" x 4" mild steel	(2) 914mm x 203mm x102mm mild steel
Stretcher roll	Dish-O-Matic 2	Dish-O-Matic 2
Saw length	21' x 5"	6400mm x 127mm
Saws	Single/double cut	Single/double cut
Electricity	480Vac,3ph, 60hz	480vac,3ph, 60hz



BAND SAW SOLUTIONS TENSIONING & LEVELING

Dish-O-Matic Band Saw // Stretcher Roll



The Williams & White Dish-O-Matic Band Saw Stretcher ultimate Stretcher roll effortlessly tensions and level band saws with the one machine. Saving time and space in the shop floor.

Highlights

- ✓ **Heavy-duty C-frame construction** → robust design is built to last
- ✓ **High-precision roll placement with electric actuator** → for easy setup
- ✓ **Patented Dish-O-Matic II system** → saw tensioning & leveling on one machine without flipping the saw
- ✓ **Manual or hydraulic roll pressure** → reduces heavy saw hammering
- ✓ **Drum switch roll actuation** → for simple operation

Dish-O-Matic II roll system

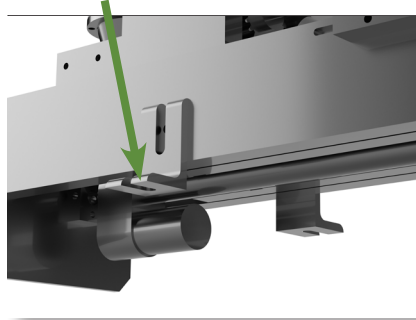
- + For precise tensioning and leveling on one machine. The DOM II roll system allows the filer to tension and level the saw with one machine.
- + Off-set roll diameter for unobstructed tensioning.

NO NEED TO FLIP THE SAW WITH THE DOM II STRETCHER!



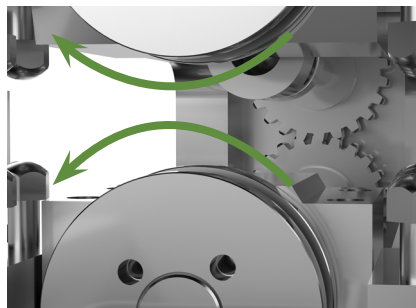
Electric actuator for cross saw roll movement

- + Easily change rolling position for precise tensioning.



Both top and bottom rolls are driven

- + Ensures band saw properly feeds through roll system.



Options

- + Hydraulic roll pressure
- + Variable speed rolls
- + Motor brake
- + Round saw attachment
- + Digital pressure gauge



Models

#10E	Tensioning up to 10" wide bands
#10 DOM2	Tensioning and leveling up to 10" wide bands
#17E	Tensioning up to 17" wide bands
#17 DOM2	Tensioning and leveling up to 17" wide bands

Specifications

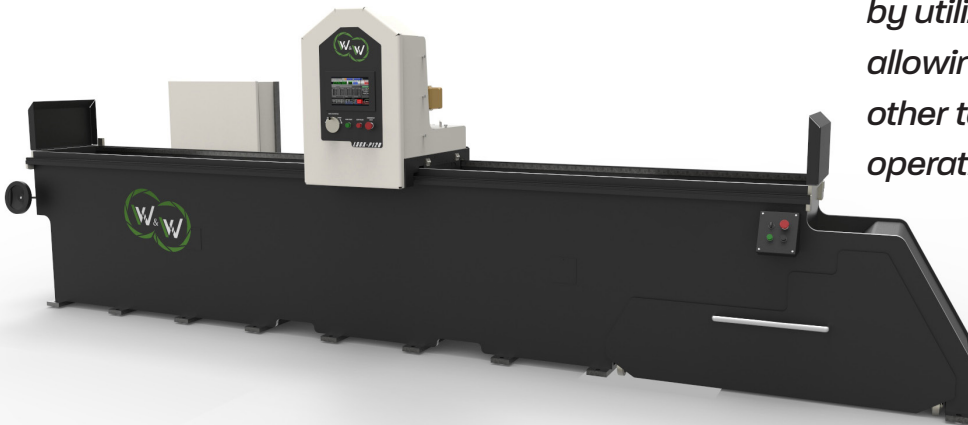
	#10	#17
Band saw capacity	Up to 10" (254mm)	Up to 17"(432mm)
Plate thickness	Up to 1/4" (6.35mm) thick	Up to 1/4" (6.35mm) thick
Dimensions	H:18" (457mm) L:36"(914mm) W:30" (762mm)	H:18" (457mm) x L:48"(1,219mm) x W:30"(762mm)
Standard roll radius	6" (150mm)	6" (150mm)
Shipping weight	325kg 717lb	400kg 882lb
Voltage	480Vac, 3 Ph, 60Hz,	480 Vac, 3 Ph, 60Hz
Power	3kVA	3kVA



KNIFE & SURFACE GRINDING

Knife Grinder // LSGX-P / LSGX-D

The LSGX magnetic flat bed knife grinder is known for its robust power and ability to produce fine finishes under heavy grinding. This machine increases production by utilizing automatic grinding, allowing the operator to focus on other tasks while the machine is operating.



Highlights

- ✓ **Stress relieved heavy duty steel base** → Minimizes vibration, resulting in precise surface finish
- ✓ **Efficient operation and easy work piece removal** → For efficient operation
- ✓ **CNC down feed and carriage travel** → For precise machine movements
- ✓ **Square rail linear bearings and Turcite dovetail spindle slide** → For extreme machine accuracy
- ✓ **Through spindle coolant** → For proper grinding temperature control

Precision linear bearings

- + Williams & White's knife grinders are built using precision square-track rails and bearings. These superior components allow the carriage to travel with accuracy and create stability in xyz axes.

Heavy duty frame

- + Manufactured using heavy duty welded box frame construction to increase accuracy and minimize vibration.

Spark-out cycle to remove burrs at end of cycle.

Through spindle coolant

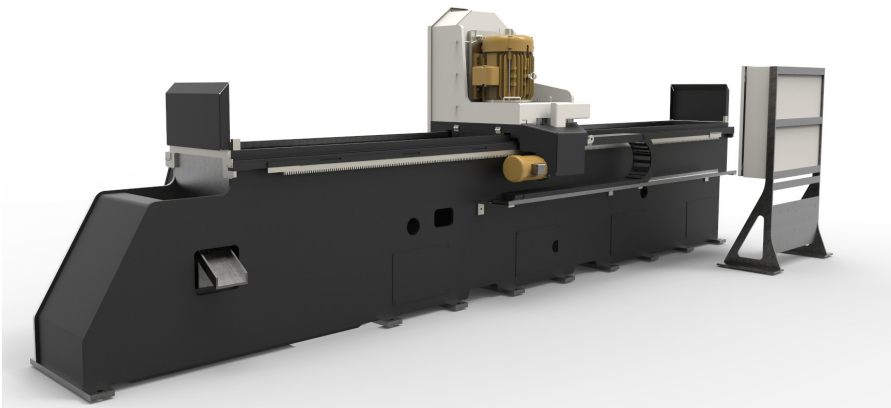
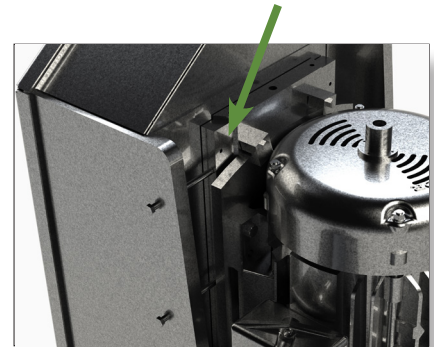
- + Full through -spindle coolant ensures the right amount of coolant reaches the parts/ knives. This increases the life of the grinding stones and creates a smooth finish on the parts/ knives.

Quick change spindle

- + Williams & White's quick-change spindle system enables the operator to change the grinding stone with minimal downtime.

Dovetail spindle slide

- + The dovetail spindle slides found on Williams & White's knife grinder have larger contact areas than the leading competitors .
- + This provides higher stiffness and load-bearing capabilities, resulting in greater grinding consistency.



Options

Magnetic separator coolant tank with quick change fittings

- + Quick disconnect system: allows the user to disconnect coolant hoses to remove the coolant tank for cleaning and refilling.
- + A magnetic separator can also be added, which separates metal debris from contaminating the coolant.

Specifications

LSGX-P

Power requirements	480VAC, 3ph 60Hz, 30 KVA
Spindle motor	7.5HP/10HP/15HP (5.5kW/7.4kW/11kW)
Grinding wheel size	10" ring or 12" segmented wheel (254mm or 304mm)
Down feed Increments	.0005" - .003 (.01mm - .07mm)
Grinding wheel to surface clearance	5.25" (133mm)
Accuracy	.0005" per foot (.127mm per .304m)
Coolant capacity	160L
Weight	Depending on Lengths
Magnetic surface area	6"(150mm) wide x grinder length
Frame plate thickness	3/4" (19mm)
User interface	10" (254mm) touch screen
Program save function	Not available
Down-feed	CNC down-feed
Speed Carriage	2 Speed carriage

LSGX-D

Power requirements	480VAC, 3ph 60Hz, 30KVA
Spindle motor	10HP/15HP/25HP (7.4kW/11kW/18kW)
Grinding wheel size	10" ring or 12" segmented Wheel (254mm or 304mm)
Down feed Increments	.0001" - .005" (.0025mm - .127mm)
Grinding wheel to surface clearance	5.25" (133mm)
Accuracy	.0005" per foot (.127mm per 0.304m)
Coolant capacity	160 L
Weight	Depending on Lengths
Magnetic surface area	8" (200mm) wide x grinder length
Frame plate thickness	1" (25.4mm)
User interface	10" (254mm) touch screen
Program save function	Standard
Down-feed	Servo CNC down-feed
Speed Carriage	Variable speed carriage

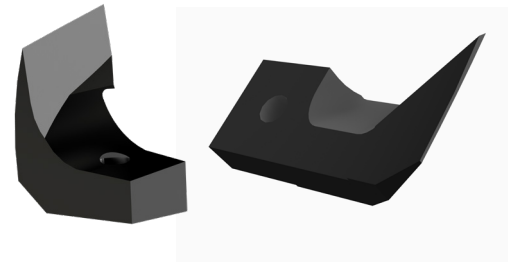


KNIFE & SURFACE GRINDING

Hewsaw Knife Grinder



The Williams & White CKG/ EKG Knife Grinder is designed specifically for Hewsaw small log lines. The innovative design allows 24-48 knives to be sharpened simultaneously depending on jig options.

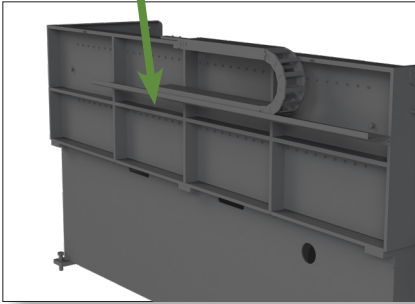


Highlights

- ✓ **Heavy duty stress relieved frame** → Minimizes vibration which results in precise surface finishes
- ✓ **Precision linear bearing design** → For extreme machine accuracy
- ✓ **CNC carriage travel and down feed** → For easy operation
- ✓ **Multiple jig configurations** → To fit your sharpening requirements
- ✓ **Centralized lubrication system** → For stress free maintenance

Heavy duty stress-relieved frame

- + The heavy duty, vertically reinforced frame reduces harmful vibrations, flexing and distortion.

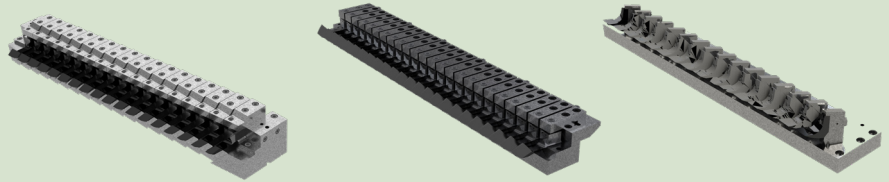


24-48 knife-jig

- + The Williams & White EKG/CKG has a 24-36 knife capacity to maximize the efficiency of your operation. This feature is exclusive to Williams and White EKG/CKG grinders and cannot be found in the standard rotary grinders (which hold just 12 knives).

Fixture options

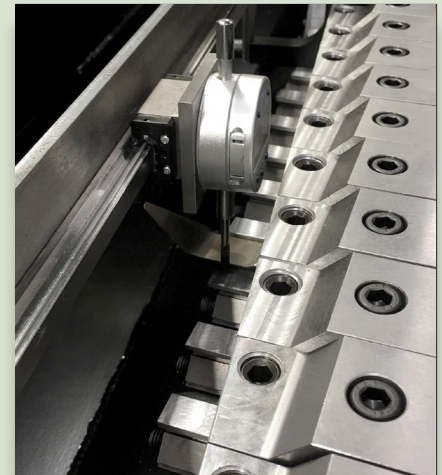
Standard jig with 48 knife capacity



CKG height adjustable fixture **CKG standard fixture** **EKG fixture**

CKG height adjustable Jig with 36 knife capacity

- + Our adjustable knife Jig allows each of the 36 knives to be individually positioned, eliminating the need to set the Jig to the most worn knife. This control significantly increases the lifespan of each knife, and is not available on standard rotary grinders.



SHARPENS KNIVES BACK TO FACTORY STANDARDS

Specifications

Knife Capacity	_____
Sharpening Cycle	_____
Spindle motor RPM	_____
Ship weight	_____
Coolant tank capacity	_____
Voltage	_____
Power	_____
Power per spindle	_____

CKG chipping knife

Up to 36 knives (adjustable)	_____
2-3 hours	_____
3600 RPM	_____
4800lb, 2177kg	_____
130L	_____
480Vac, 3ph, 6Hz	_____
8kVA	_____
7.5Hp, 5.5kW	_____

EKG Edging Knife

Up to 24 knives (fixed)	_____
2-3 hours	_____
3600RPM	_____
4800lb, 2177kg	_____
130L	_____
480Vac, 3ph, 6Hz	_____
8kVA	_____
7.5Hp, 5.5kW	_____



SAW GUIDE TECHNOLOGY

CNC Guide Dresser // GDX



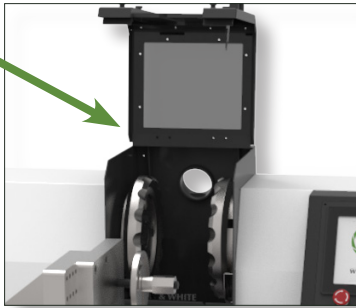
Introducing the fully automated 3 Axis CNC GDX Guide Dresser. Accurate saw guides improve the performance of your saw mill by increasing lumber recovery and reducing saw deviation; resulting in higher profits.

Highlights:

- ✓ **3 axis CNC control accurate within +/- .0002" (0.005mm)** → Improved guide accuracy
- ✓ **10" touch screen and custom Williams & White software** → For intuitive operation
- ✓ **Fits all saw guides** → One machine for all guide milling requirements
- ✓ **Multi indexable insert cutter heads** → For unparalleled surface finish and grinding speed
- ✓ **Reduced downtime/better mill performance** → More accurate lumber dimensions

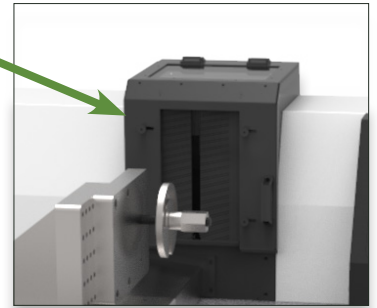
CNC Milling heads

- + Variable RPM
- + Cutter head lift off
- + 15 four-sided carbide cutters per head gives ultra smooth surface finish with high feed rate.
- + 7.5 HP spindle motors



Guarding

- + Electronic hood lock ensures operator safety



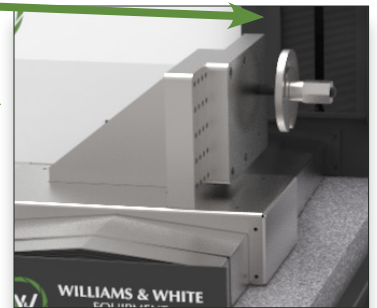
Precision machined granite base

- + Vibration dampening temperature stability for unmatched accuracy
- + Eliminates vibration during milling & isolated from environmental vibrations



Crash mitigation sensor (option)

- + Rejects incorrect guide before collision occurs



Why choose the Williams and White GDX?

Comparable Competition	GDX
<input checked="" type="checkbox"/> Manual milling head movement	<input checked="" type="checkbox"/> Milling axes CNC controlled → Less error prone
<input checked="" type="checkbox"/> Stepper motor motion on guide feed	<input checked="" type="checkbox"/> Feed axes CNC controlled → Smoother milling
<input checked="" type="checkbox"/> Cutter cover is loose during operation	<input checked="" type="checkbox"/> Integrated safety system - machine door locked during milling operation → Reduced injury risk
<input checked="" type="checkbox"/> Guide feed rate not adjustable	<input checked="" type="checkbox"/> Guide feed rate adjustable with touch screen → Fine surface finish
<input checked="" type="checkbox"/> Not adjustable through user interface	<input checked="" type="checkbox"/> RPM adjustable on touch screen → Easy to dial in
<input checked="" type="checkbox"/> No cutter head lift off	<input checked="" type="checkbox"/> Cutter head lift off → No back cutting
<input checked="" type="checkbox"/> Exposed ways	<input checked="" type="checkbox"/> Fully enclosed ways → Longer lasting accuracy

Options

- + Guide measurement station
- + Error detection sensors
- + Remote monitoring
- + Diamond cutter upgrade

Specifications

Guide thickness	0.5"-4" standard (6")	12.7mm-101mm
Cut depths	0.002"-0.030"	0.05mm-0.76mm
Cycle times	As low as 14 sec	As low as 14 sec
Weight	4,500lbs	2,041kg
Dimensions	L: 93" x W60" x H60"	L:2,360xW:1524xH:1524m
Voltage	480V 3ph 50/60Hz	480V 3ph 50/60Hz
Power	23kVA	23kVA
Power per spindle	7.5Hp	5.5kW

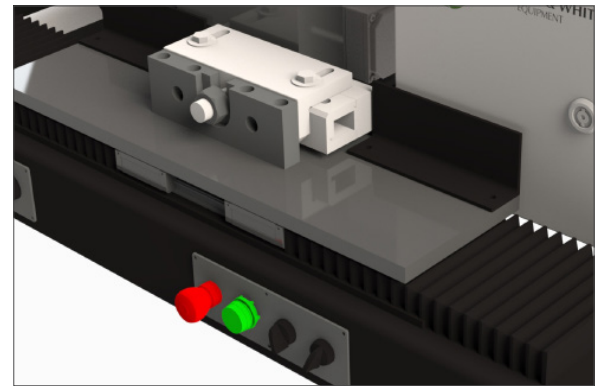


SAW GUIDE TECHNOLOGY

BGD Band Saw Guide Dresser



The Williams & White Band Saw Guide Dresser is a must have machine that can handle all of the filling rooms band saw dressing needs. The BGD is easy to use and delivers high precision results.



Highlights

- ✓ **Heavy duty fabricated steel frame construction** → Built to last
- ✓ **ø2.5"(63mm)- 5 insert face mill cutter** → For precision surface finish
- ✓ **Variable speed feed rate 6"-50"(152-1270mm)/min** → To dial-in surface finish
- ✓ **Gear motor on feed axis with timing belt drive** → For smooth carriage travel
- ✓ **Safety cover and 2 button cycle start** → For safe operation
- ✓ **Small footprint** → To fit anywhere in your shop
- ✓ **Enclosed cutting area with extraction port 3" (75mm)** → For clean environment

Specifications

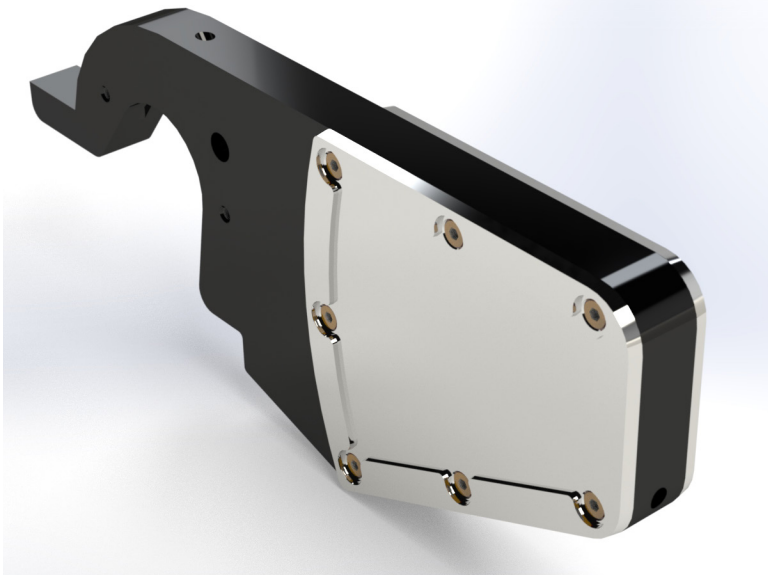
Max guide length	14"	355 mm
Max guide thickness	2"	50 mm
Voltage	460V-60Hz	460V-60Hz
Spindle motor	1.5 HP, 2785 RPM	1.15 KW, 2785 RPM
Dimensions	L 51.5" X W 24.5" X H 22"	L 131 X W 62 X H 56 cm
Weight	350 lbs	160 kg

Options

- ✓ 90° TO 40° angle cut
- ✓ 400V 50Hz power

Circular & Band Saw Guides

Round Saw Guides



Williams and White specializes in manufacturing industry leading steel & aluminum saw guides. We provide the engineering, manufacturing and quality control to deliver world class saw guides. Accurate saw guides will increase lumber recovery, resulting in maximized profits for your mill.

Key Features

- ✓ CNC machined
- ✓ Extreme precision (+ / - .00025", 0.006mm)
- ✓ Super fine surface finish

- ✓ Engineered hard-coat (type 3) anodizing
- ✓ Guaranteed flatness
- ✓ Engineered to meet your requirements
- ✓ Professional resurfacing and resizing

Quality Assurance

- ✓ Multiple inspection stages
- ✓ Engineered drawings
- ✓ Laser engraving
- ✓ Every guide cataloged and filed on record
- ✓ Williams and White quality assured

Saw Guide Repair

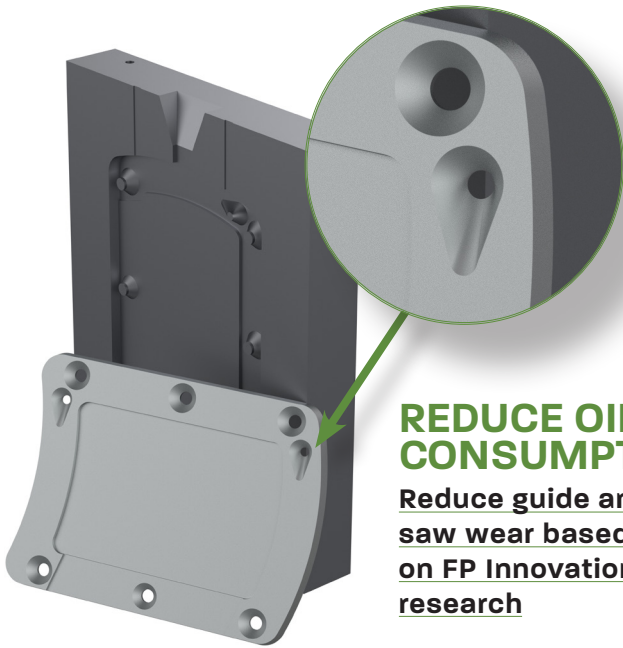
- ✓ Damaged guide repair
- ✓ Guide re-anodizing
- ✓ Guide resizing (approximately half the cost of purchasing new guides)
- ✓ Guide straightening



Guide Design & Engineering

Williams and White uses cutting edge technology when working with customers to design and engineer saw guides & babbitt pads to help optimize coolant flow & improve mill performance.

Teardrop orifice designs

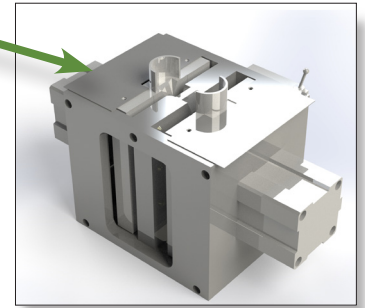


REDUCE OIL CONSUMPTION!

Reduce guide and saw wear based on FP Innovations research

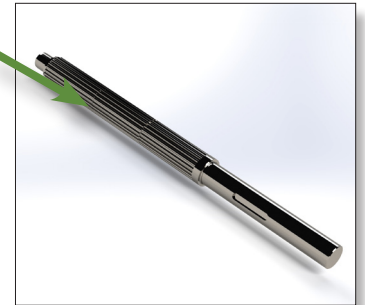
Babbitt mold

- + Custom designed mold chamber
- + Double pocket mold
- + Pneumatic operation
- + Optimizing babbitt design can improve sawing



Splines and arbors

- + Manufactured to precision tolerances
- + Induction hardened
- + Alloy steel
- + OEM replacements



Options

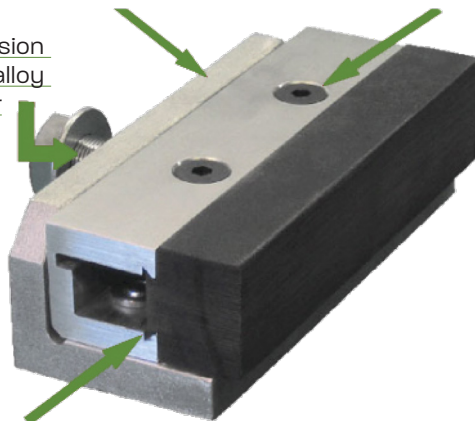
- ✓ **Heli-coil inserts or thread inserts: offer extra protection against thread damage**
- ✓ **Platinum series guides**
- ✓ **Nitriding available for steel guides**
- ✓ **Custom engraving**

Band Saw Guides

Lightweight aluminum alloy cartridges with steel inserts are standard on most sizes

A quick turn of the key locks the insert into the adapter

Lightweight precision made aluminum alloy Norguide adapter



The dovetail inserts slides into the adapter block quickly and easily

Our A series band saw guides range in size from 6"–15" wide (150mm–380mm). The guide blocks are 2" (50mm) in height and are 1 5/8" (41mm) deep. These guides can be resurfaced approximately 40 times. The A series has the option of an internally ducted top mounting bracket with a dual wide angle spray system.

SAWSENSE Temperature Monitoring System



**Rim & Eye
Temperature Sensors**
+/-0.1 (1.8 °F) Degree Accuracy

**WIFI
Communication
System**

Williams and White has introduced a new temperature sensing technology to improve mill performance.

This PATENTED technology accurately measures, in real-time, the temperature of a saw blade during operation. This product is available for both round saws and band saws, and can be implemented for permanent use or diagnostic purposes.

SAWSENSE harnesses The Industrial Internet of Things (IIOT) to drive mill operations and efficiency to the forefront of the industry.

SAWSENSE[®]

Highlights:

- ✓ **Reduces oil consumption up to 40%** → Reduces corrosion and pooling; less moisture in sawdust
- ✓ **Rechargeable batteries** → Up to 1 year of battery life between charges
- ✓ **0-80°C (32-176 °F) temperature range** → +/- 0.1°C (1.8 °F) Accuracy
- ✓ **For all saw applications** → Can be integrated into any saw guide or band guide block
- ✓ **Two sensors per system** → For critical temperature differential readings
- ✓ **Permanent and diagnostic options** → Customized for your specific needs



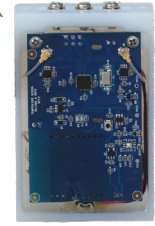
Sawsense temperature Sensor

- + Monitoring rim and eye temperatures with 2 replaceable sensors heads
- + Sensor retracts to facilitate babbitt milling operation
- + Excellent wear resistance
- + Rapid data transmission



WIFI Wireless Communication

- + Continuous monitoring
- + Access data from nearly any convenient location within the primary networking environment
- + Configurable sample rate



PLC Integration

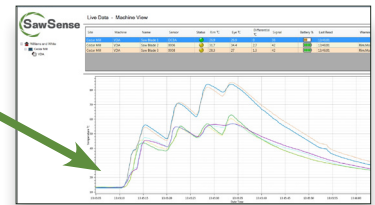
- + Programmable Logic Controller (PLC) Integration available to integrate SawSense into your existing mill control systems.



Proven in mill applications

SawSense Monitoring

- + Measure and log temperature performance



Wireless Charging

- + Convenient charging by dropping the unit on the charging pad.
- + No charging port to break!
- + Long lasting battery life (up to 1 year)



Data and Graphing

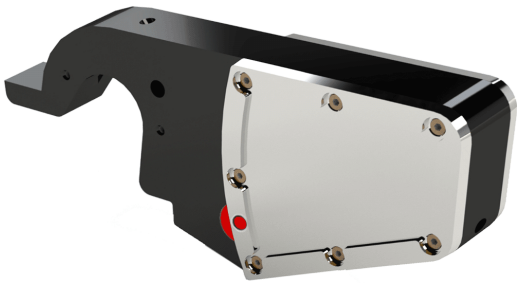
- + Real-time analytics
- + Historical analytics
- + Recording analyzed data



Benefits to the sawmill

- ✓ **Decreases sawing deviation** → Prevents wrecks/unscheduled saw change
- ✓ **Rim & eye real time measurement** → Ensures optimal saw performance
- ✓ **Higher chip quality** → Higher value
- ✓ **Increases mill speed** → Higher profits
- ✓ **Alarm notification system** → Reduces saw and guide damage and downtime
- ✓ **Identifies performance issues in real time** → Determine or eliminate potential problem areas

Diagnostic SAWSENSE VS SMARTguides



SMARTGUIDE



Diagnostic SAWSENSE

Comparison:

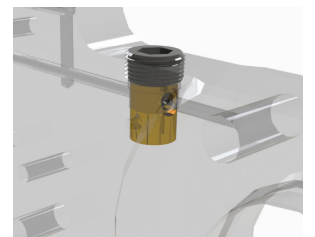
SMARTGUIDES with SAWSENSE	Diagnostic SAWSENSE
<input checked="" type="checkbox"/> Guide embedded	<input checked="" type="checkbox"/> Bolt-on system
<input checked="" type="checkbox"/> Designed for permanent temperature monitoring	<input checked="" type="checkbox"/> Designed for temporary diagnostic purposes
<input checked="" type="checkbox"/> PLC integration available	<input checked="" type="checkbox"/> PLC integration not available
<input checked="" type="checkbox"/> Sample rate adjust-ability available	<input checked="" type="checkbox"/> Sample rate not adjustable
<input checked="" type="checkbox"/> Hardware is enclosed/protected	<input checked="" type="checkbox"/> Hardware is exposed



Saw Guide Flow Equalization System



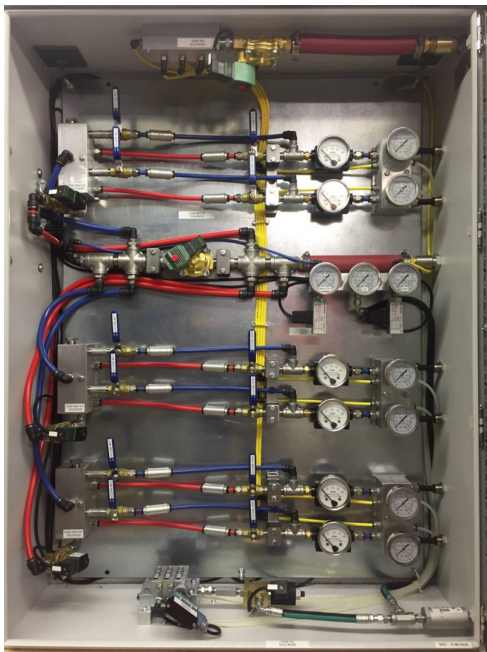
The Saw Guide Flow Equalization System is a passive flow valve which balances lubrication flow to all saws in a bank. The use of the Saw Guide Equalization System results in consistent saw performance by compensating for issues that cause unequal lubrication flow to each guide/saw. It also improves flow efficiency; reducing the amount of water and oil required. This system can be integrated into new Williams and White saw guides or existing guides in any mill.



Highlights

- ✓ **Retrofit into existing saw guides** → Low cost implementation
- ✓ **Reduced oil and water usage** → Cost savings and less moisture in chips
- ✓ **Regulates flow to each individual saw** → Extends lifespan of saws and reduces unscheduled saw changes

Saw Guide Lube System



Williams & White's guide lube system is a simple, maintenance friendly method for delivering lubrication to your saws.

- *Virtually maintenance free*
- *Stainless steel components*
- *No Needle Valves means No Clogged line*

(Picture): Four zone saw guide lube system

Highlights

- ✓ **Ball valves instead of needle valves** → To prevent blockage by minerals in water
- ✓ **Flow meter (0.2 to 2 gallon per minute)** → To monitor and set the flow
- ✓ **Check valves** → Would guide water to the designated hose
- ✓ **Pressure monitoring system** → To check the hose for any blockage
- ✓ **Non rusting material** → To prevent in water circuits
- ✓ **PLC Can be provided upon request** → To monitor pressure and cycle switches
- ✓ **Single or multiple zone systems** → Up to 4 zone system
- ✓ **Simple Design** → For ease of use and to increase durability



CA5 Tool Grinder

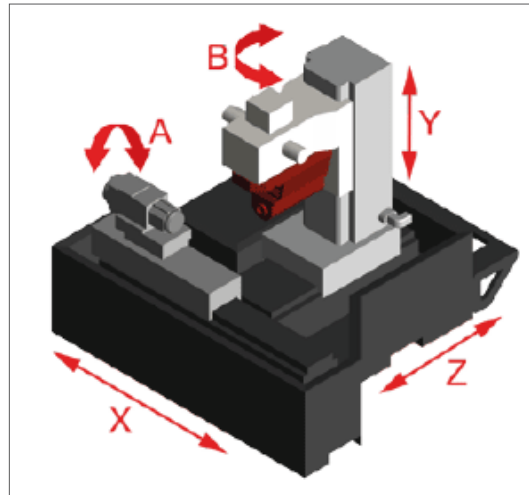


CA5 Tool Grinder is equipped with a long table of 720 mm, a wide range of accessories, a powerful electro spindle and EasyGrind multifunction proprietary software. The CA5 EvoBoost is perfect for medium to large volume tool production.

Highlights:

- ✓ **Axes X,Y, Z accurate within +/- .000004" (0.0001 mm)** → Resulting in high precision tools
- ✓ **6 slots grinding wheels rack loader** → Unload/load a wheel in less than 5 seconds
- ✓ **SA50 work piece holder** → Developing a high speed of 650 rpm
- ✓ **19.7" (500mm) long table** → Enough space to install necessary accessories
- ✓ **Mineral casting bed** → Vibration proof. 10 times the classic iron bed rigidity
- ✓ **Ergonomics** → Control desk with an easy replaceable 22" touch screen
- ✓ **Maintenance access panel** → Easy access for all maintenance & regular cleaning routines
- ✓ **Rigid nozzle tools cooling system** → Additional cooling system controlled by a cylinder
- ✓ **HSK40, HSK50 or HSK63 Electro spindle** → Adjustable speed . Including a self-cooling system
- ✓ **Renishaw tool probing** → Tool detecting and measuring accessory

Technical Details



Capacities

Maximum tool length (grinding)	20"	500 mm
Maximum tool length (sharpening)	→20"	→500 mm
Maximum tool diameter	10 to 12	250 to 300 mm
Maximum weight of the tool	≈ 220 lbs	≈ 100 kg
Maximum wheel diameter (with HSK50 attachment)	12"	300mm

Options

- Wheel sensor
- Manual Tail-stock
- CNC control steady rest
- Robot charger
- Retractable tool cooling

Specifications

X axis course (horizontal)	20"	500 mm
Y axis course (vertical)	11.5"	290 mm
Z axis course (transverse)	12"	300 mm
X axis speed (horizontal)	98'/min	30 m/min
Y axis speed (vertical)	49'/min	15 m/min
Z axis speed (transverse)	49'/min	15 m/min
A axis speed (clamping tool)	650 Rpm	650 Rpm
B axis speed (electro spindle holder)	30 Rpm	30 Rpm
B axis course (electro spindle holder)	-15 / +180 deg	-15 / +180 deg
Electro spindle power	10 to 25 KW	10 to 25 KW
Electro spindle maximum speed	12000 to 20000 Rpm	12000 to 20000 Rpm
Wheels attachment	HSK40, HSK50, HSK63	HSK40, HSK50, HSK63
Dimension with robot	114" x 114" x 87"	2900 x 2898 x 2200 mm
Dimension without robot		2900 x 2150 x 2200 mm
Total weight	14,330 lbs	6500 kg

Accuracy

Axes X, Y, Z axis	.0000039	0,0001 mm
Axes A, B axis	.0001 deg	0,0001 deg





CA7 EVO BOOST Broach Grinder

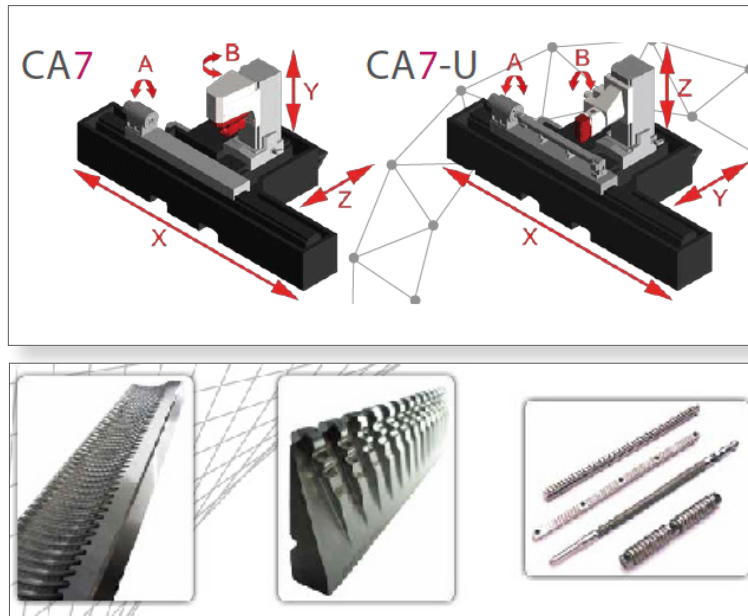


CA7 EvoBoost is a specialized grinding machine for manufacturing and resharpening broaches. Equipped with: a 1700 mm length table, a large selection of accessories, a powerful electro-spindle and full option software. It is perfect for manufacturing all of your tools regardless of their size.

Highlights:

- ✓ **Axes X,Y, Z accurate within +/- .000004" (0.0001 mm)** → Resulting in high precision tools
- ✓ **6 slots grinding wheels rack loader** → Unload/load a wheel in less than 5 seconds
- ✓ **SA50 work piece holder** → Developing a high speed of 650 rpm
- ✓ **67" (1700mm) long table** → Enough space to install necessary accessories
- ✓ **Mineral casting bed** → Vibration proof. 10 times the classic iron bed rigidity.
- ✓ **Ergonomics** → Control desk with an easy replaceable 22" touch screen

Technical Details



capacities

Maximum tool length (grinding)	67"	1700 mm
Maximum tool diameter	9.8"	250 mm
Maximum tool weight	441lbs	200 kg
Maximum wheel diameter (with HSK50 attachment)	11.8"	300 mm

Specifications

X axis course (horizontal)	59"	1500 mm
Y axis course (vertical)	13.7"	350 mm
Z axis course (transverse)	15.7"	400 mm
X axis speed (horizontal)	147'/min	45 m/min
Y axis speed (vertical)	98'/min	30 m/min
Z axis speed (transverse)	98'/min	30 m/min
A axis speed (clamping tool)	1500 Rpm	1500 Rpm
B axis speed (electro spindle holder)	30 Rpm	30 Rpm
B axis course (electro spindle holder)	-45/+180 deg	-45/+180 deg
Electro-spindle power	20 to 25 KW	20 to 25 KW
Electrospindle speed	12,000 to 20,000 Rpm	12,000 to 20,000 Rpm
Wheels attachment	HSK40, HSK50, HSK63	HSK40, HSK50, HSK63
Tool holder maximum speed (SA50)	Max. 650 Rpm	Max. 650 Rpm
Dimension	171" x 87" x 93"	4334 x 2205 x 2360 mm
Total weight	17,637 lbs	8000 kg

Options

- Wheel sensor
- Manual Tail-stock
- CNC control steady rest
- Mechanized or magnetic cradle
- HSK40, HSK50 or HSK63 Electro-Spindle
- Dressing-Rad
- Magnetic Table

Accuracy

Axes X, Y, Z axis	.0000039	0,0001 mm
Axes A, B axis	.0001 deg	0,0001 deg

CA7U Model

CA7U EVO BOOST has a different setup from the CA7 EVO boost which is dedicated to the broach grinding. Under this configuration, the electro-spindle is in a vertical position that gives a perfect vision of the grinding process by the operator during the cycle.



SurfTech PVD Coating



The SurfTech PVD (Physical Vapor Disposition) coating machine significantly increases tool life span by applying a 0.0001" layer of hardened coating to the tool's surface.

Highlights:

- ✓ **Stress-free operation and maintenance** → Switching between different coating types in just 15 minutes
- ✓ **User friendly interface** → Full automation and control through touch-screen
- ✓ **Heavy duty hardware** → Built to last
- ✓ **Remote diagnosis system** → Technicians can diagnose and service remotely, ensuring maximum up-time and production

Applications

Cutting Tools

- + Enhanced Performance
- + Increased Speed
- + Longer Lasting
- + Temperature Resistant



Mold & Die Casting

- + Increased Speed
- + Improved Final Product
- + Easy to Clean
- + No Expensive Lubricant



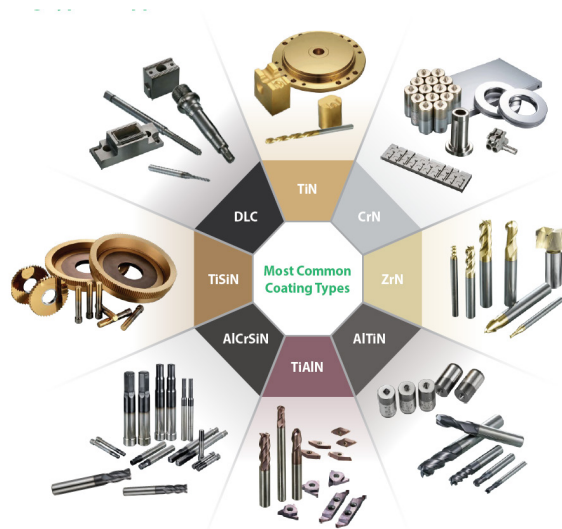
Forming & Punching Tools

- + Increase Wear Resistance
- + Reduce Sticking
- + Reduce the Need for Lubricants



Other Applications

- + PVD coating is useful for a wide variety of specialized industries, including automotive, recreational equipment, electronics & semiconductors, medical instruments, aerospace and decorative coatings.



Specifications

Model

	STAR 2	STAR 4	STAR 6
Load diameter	350 mm / 13.8"	580 mm / 22.8"	580 mm / 22.8"
Load height	250 mm / 9.8"	550 mm / 21.6"	750 mm / 29.5"
Max Load Weight	200 kg / 400 lb	500 kg / 1,100 lb	600 kg / 1,322 lb
Cathodic Arc Sources	2 sets	4 sets	6 sets
Cycle Time	2-3 hours	3-4 hours	4-5 hours
Foot Print	L: 2000 mm X W: 2500 mm (78.74" x 98.43")	L: 2500 mm X W: 1850 mm (98.5" x 72.8")	L: 2500 mm X W: 1850 (98.5" x 72.8")
Applications	Small batch production Fast cycle coatings	High volume tool coatings	High volume large molds



WILLIAMS & WHITE
EQUIPMENT



WILLIAMS & WHITE
EQUIPMENT

WWW.WILLIAMSANDWHITEEQUIPMENT.COM
6307 LAUREL ST, BURNABY BC, V5B 3B3, CANADA
1.888.293.2268 604.2932268
SALES@WILLIAMSANDWHITE.COM

